

Ordering Information

Applicable product		
Left outlet	K-1563-H	shown
Right outlet	K-1564-H	not shown
Accessories/hardware:		
Jet trim kit	K-9694	required
Drain	K-7161-AF	recommended

Required Electrical Service

Dedicated circuit required, protected with Class A Ground-Fault Circuit-Interrupter (GFCI):	
Pump/control	120 V., 20 A, 60 Hz

Product Information

Fixture*:	basin area	top area	weight
Bathing well	47" x 21"	55" x 24"	250 lbs.
	water depth	capacity	
To overflow	12-1/2"	53 gals.	

* Approximate measurements for comparison only.

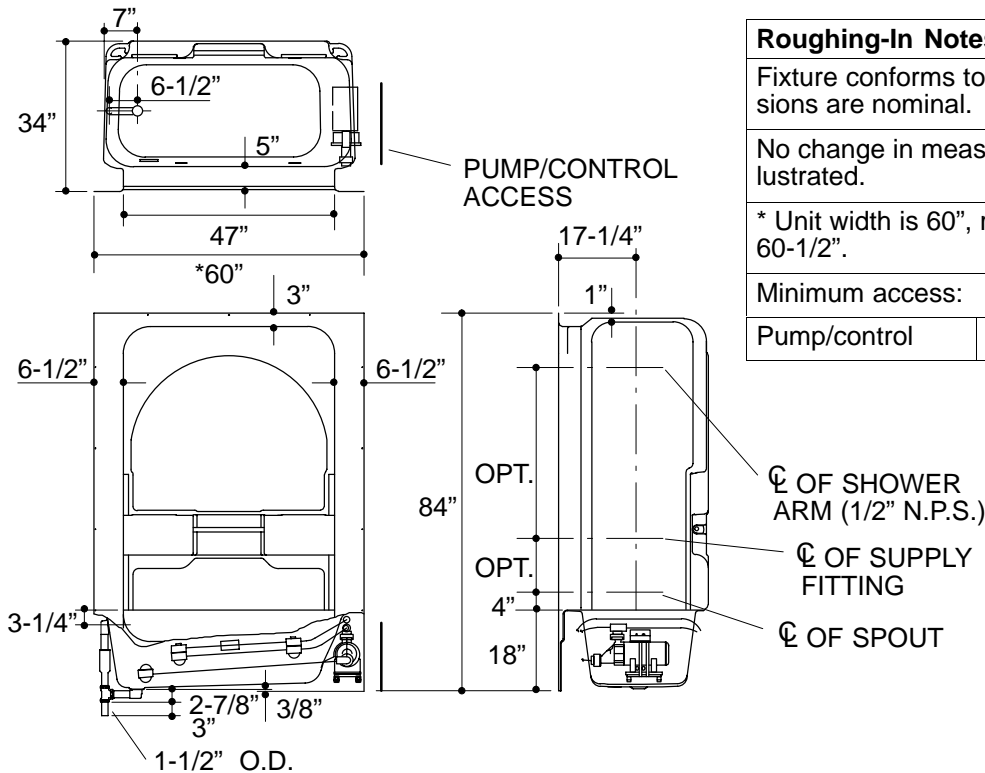
Pump:	high HP	low HP	V	Hz	A
2-speed	1	1/8	120	60	16.5

Installation Notes

Refer to installation instructions included with fixture before beginning installation.

Unit is not drilled for supply fittings.

Each pump is supplied with a grounding type plug-in cord. Locate the outlet behind the whirlpool, and within 24" of the pump.



Roughing-In Notes

Fixture conforms to ANSI Standard Z124.2. All dimensions are nominal.

No change in measurements if connected with drain illustrated.

* Unit width is 60", roughing-in for stud frame MUST be 60-1/2".

Minimum access:

Pump/control	20" W x 15" H panel	required
--------------	---------------------	----------

.75<132