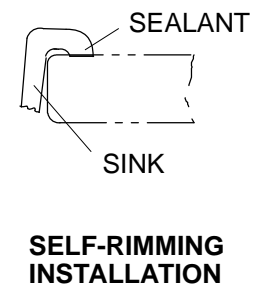
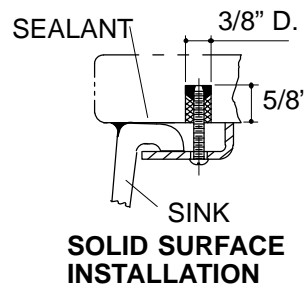
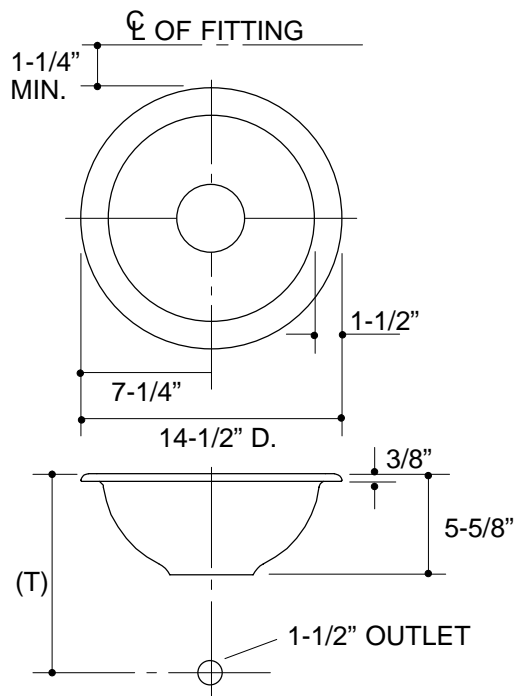


### Product Information

Fixture*:		basin area	water depth
Sink		11-1/2" D.	5"
Outlet	3-7/8" D.		
* Approximate measurements for comparison only.			
Included Components:			
Basin clamp accessory pack		52047	
Cutout template		114336-7	

### Installation Notes

Refer to installation instructions included with fixture before beginning installation.



### Roughing-In Notes

Fixture dimensions are nominal and conform to tolerances in ASME/ANSI Standard A112.19.1M.

(T) Drain typically 11".

Supplied basin clamp assemblies require 1" minimum countertop thickness. Installer must supply hardware for thinner countertops.

For multiple bowl undercounter installations, a minimum distance of 3-3/8" is required between bowls. Countertop supplier to determine required support.