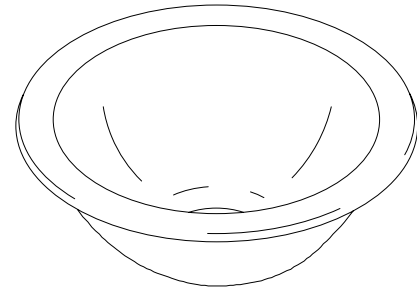


### SELF-RIMMING OR UNDERCOUNTER KITCHEN SINK

# K-6588

#### FEATURES

- 14-1/2" in diameter (self-rimming) or 11-1/2" in diameter (undercounter mount)
- Cast iron
- Acid resistant enamel finish
- Self-rimming or undercounter mount
- Single compartment



#### CODES/STANDARDS APPLICABLE

Specified model meets or exceeds the following:

- ASME/ANSI A112.19.1M
- IAPMO/UPC
- Canadian Standards Association (CSA)
- State of Massachusetts

#### COLORS/FINISHES

- 0 White
- Other Refer to Fixtures Price Book for additional colors

#### Accessories:

- CP Polished Chrome
- Other Refer to Faucets Price Book for additional finishes

#### SPECIFIED MODEL:

Model	Description	Colors/Finishes	
K-6588	Round kitchen sink	<input type="checkbox"/> 0 White	<input type="checkbox"/> Other_____
Optional Accessories			
K-8801	Duostrainer sink strainer	<input type="checkbox"/> CP	<input type="checkbox"/> Other_____

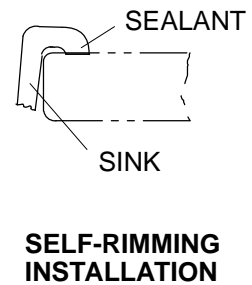
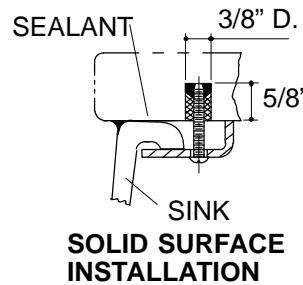
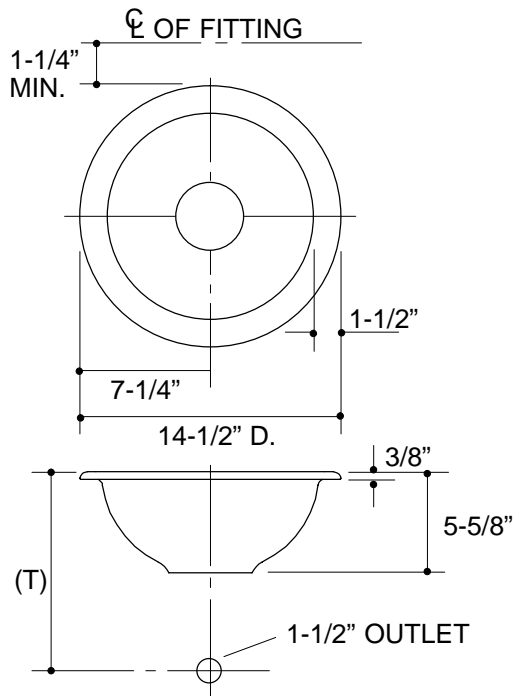
#### PRODUCT SPECIFICATION:

The self-rimming sink shall be 14-1/2" in diameter, or the undercounter mount sink shall be 11-1/2" in diameter. Sink shall be made of cast iron with acid resistant enamel finish. Sink shall be single compartment. Sink shall be Kohler Model K-6588-\_\_\_\_\_.

# IRON/TONES™

## PRODUCT INFORMATION

Fixture*:		basin area	water depth
Sink		11-1/2" D.	5"
Outlet	3-7/8" D.		
* Approximate measurements for comparison only.			
Included Components:			
Basin clamp accessory pack		52047	
Cutout template		114336-7	



### Roughing-In Notes

(T) Drain typically 11".

Supplied basin clamp assemblies require 1" minimum countertop thickness. Installer must supply hardware for thinner countertops.

For multiple bowl undercounter installations, a minimum distance of 3-3/8" is required between bowls. Countertop supplier to determine required support.

332

## PRODUCT DIAGRAM