

Ordering Information

Applicable faucet trim:	
With swirl handles*	K-T612-4W
With scroll handles*	K-T612-4S
With kudu handles*	K-T612-4T
*Rite-Temp valve must be ordered to complete faucet.	

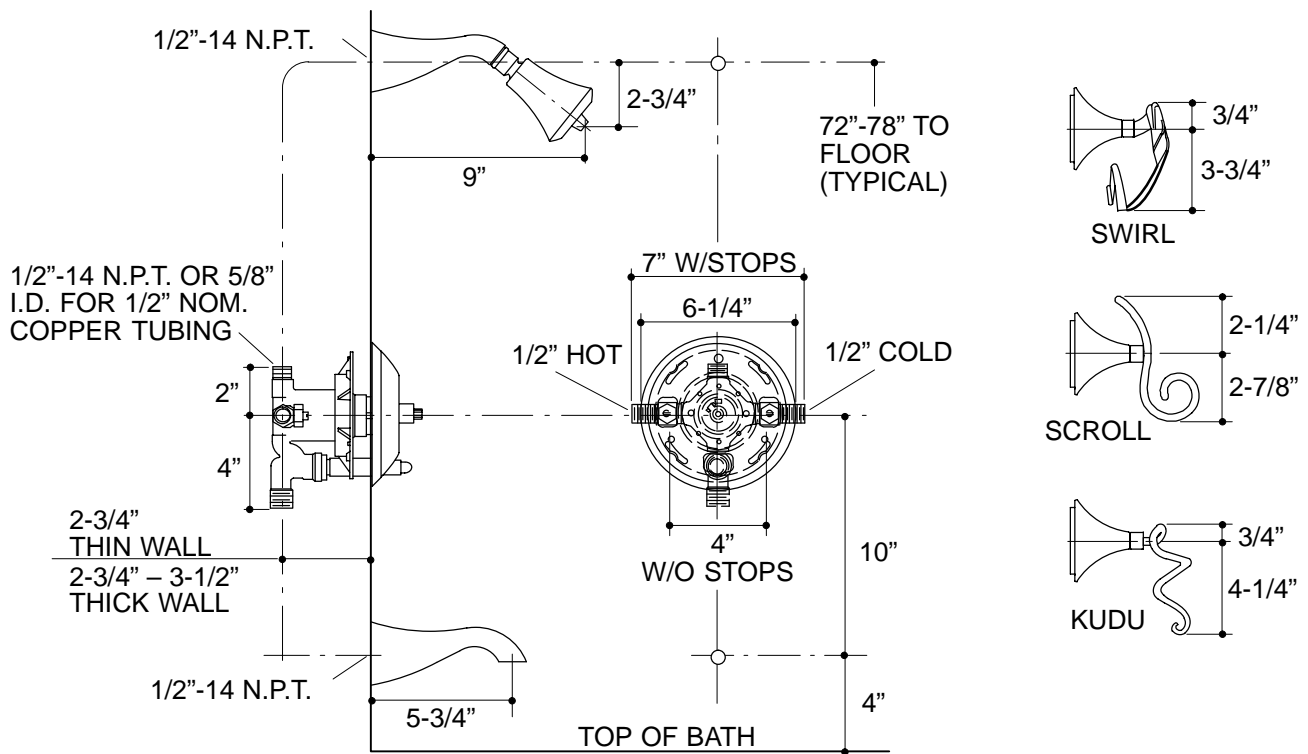
Applicable Rite-Temp valve only:		
Rite-Temp valve without stops	K-305-K	required**
Rite-Temp valve with stops	K-305-KS	required**
**Required for configuration illustrated.		
ADA Lever handles are ADA compliant.		

Installation Notes

Avoid cross-flow conditions. Do not install shut-off device on either valve outlet.

Cap shower outlet if deck-mount spout, diverter, or handshower is connected to spout outlet.

Install straight pipe or tube drop of 7 to 18" with single elbow between valve and wall-mount spout.



18

K-T612, K-305 Finial Art Bath and Shower Faucet
114357-1-FA (-)

KOHLER®

NOTES: