

**BATH FAUCET TRIM**  
**K-T614**  
**ALSO K-301-K**

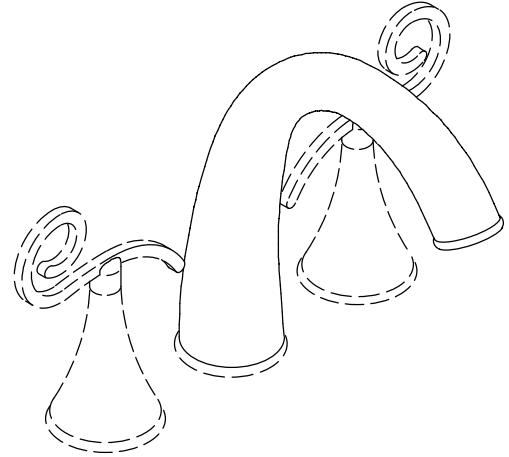
**FEATURES**

- Brass construction
- Deck-mount
- 7-1/2" high-arch non-diverter spout with slip-fit connection
- Variety of handle style options

**CODES/STANDARDS APPLICABLE**

Specified model meets or exceeds the following:




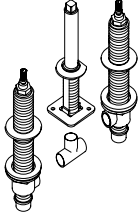
- ASME/ANSI A112.18.1M
- CSA B125
- IAPMO/UPC



**COLORS/FINISHES**

- CP Polished Chrome
- Other Refer to Faucets Price Book for additional finishes

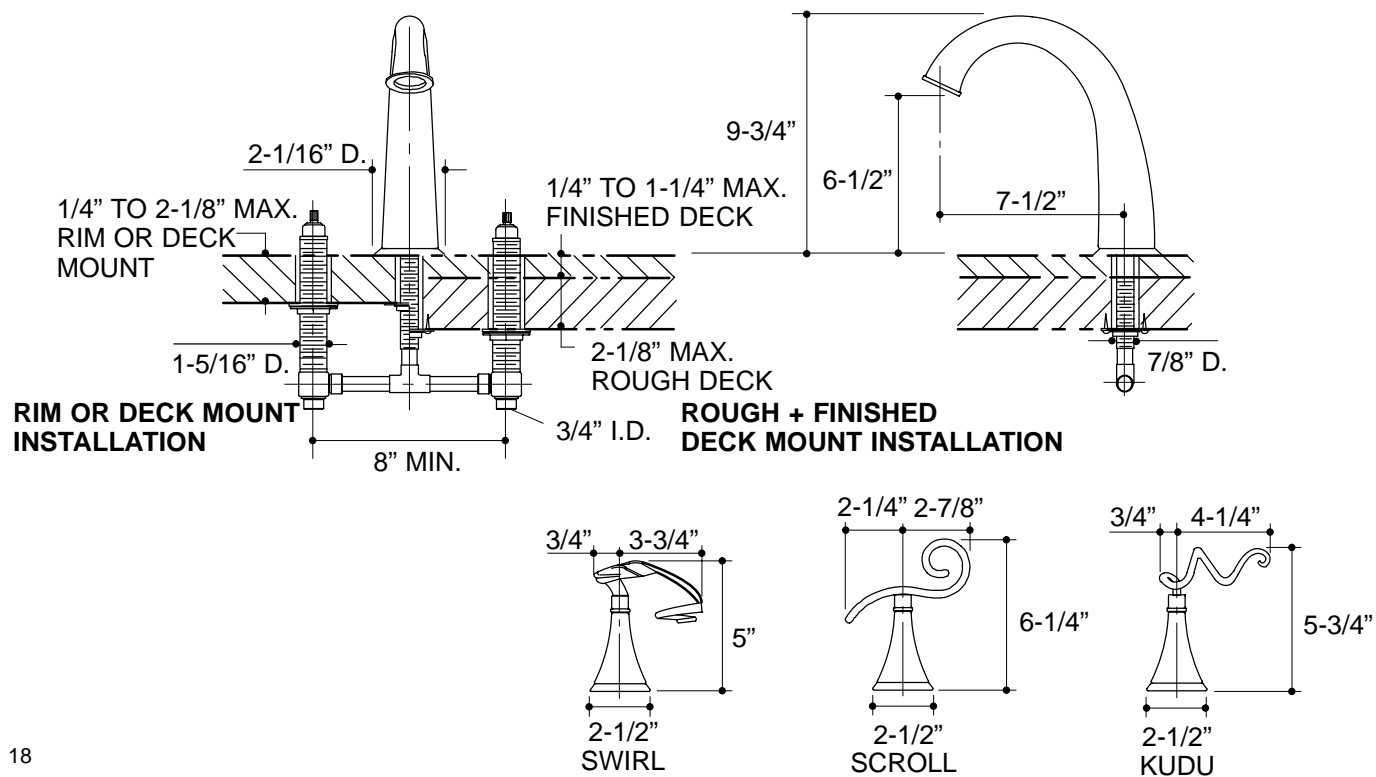
**SPECIFIED MODEL:** For complete faucet, both faucet trim and valve system must be specified.

| Model                     | Description                              |  ADA |  ADA |  ADA |
|---------------------------|--|--|---|---|
| K-T614-4S                 | With Scroll Handles and Accents          | <input type="checkbox"/> Other _____   |   |   |
| K-T614-4W                 | With Wrought Swirl Handles and Accents   |  | <input type="checkbox"/> Other _____  |   |
| K-T614-4T                 | With Kudu Handles and Accents            |  |   | <input type="checkbox"/> CP <input type="checkbox"/> Other _____                          |
| <b>Required Accessory</b> |  |  |   |      |
| K-301-K                   | 3/4" High-Flow Ceramic Disc Valve System | <input type="checkbox"/> NA  |   |   |

**PRODUCT SPECIFICATION:**

Two-handle deck-mount high-flow bath faucet trim shall be of brass construction. Product shall include 7-1/2" high-arch non-diverter spout with slip-fit connection, and handles. Faucet trim shall be Kohler Model K-T614-\_\_\_\_\_-\_\_\_\_\_- and valve system shall be Kohler Model K-301-K-NA.

# FINIAL ART



## PRODUCT DIAGRAM