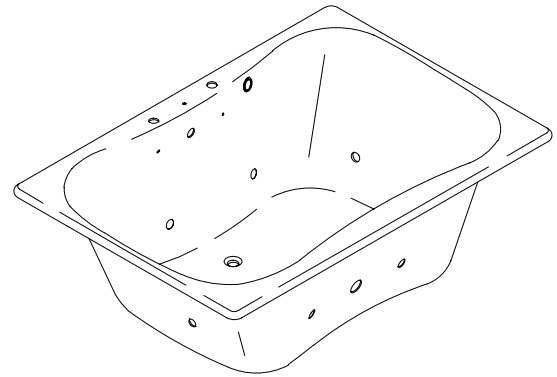


# K-1482-H, K-1484-H

## FEATURES

- 59-1/2" x 41-5/8" x 21"
- Acrylic
- Integral fill
- System II - 1 hp 2 speed pump with integral heater & electronic switch
- 6 Flexjets
- UL Listed
- Left or right-hand pump
- LESS ALL TRIM
- Drilled for K-9596 grip rails (required)
- Pump is supplied with a grounding-type plug-in cord



## CODES/STANDARDS APPLICABLE

Specified model meets or exceeds the following:

- ANSI Z124.1
- ASME/ANSI A112.19.7M
- IAPMO/UPC
- Underwriters Laboratories (UL)
- State of Massachusetts
- Dade County, Florida
- City of Los Angeles, CA

## COLORS/FINISHES

- 0 White
- Other Refer to Fixtures Price Book for additional colors

### Accessories:

- CP Polished Chrome
- PB Polished Brass
- Other Refer to Faucets Price Book for additional finishes
- NA None Applicable

## SPECIFIED MODEL:

Model	Description	Colors/Finishes	
K-1482-H	Bath whirlpool with left-hand pump	<input type="checkbox"/> 0 White	<input type="checkbox"/> Other_____
K-1484-H	Bath whirlpool with right-hand pump	<input type="checkbox"/> 0 White	<input type="checkbox"/> Other_____

Required Accessories				
K-9696	Jet trim kit	<input type="checkbox"/> CP	<input type="checkbox"/> PB	<input type="checkbox"/> Other_____
K-9589	Flair™ faucet trim kit (with drain) <b>OR</b>	<input type="checkbox"/> CP	<input type="checkbox"/> PB	
K-9599	Alterna™ faucet trim kit (with drain)	<input type="checkbox"/> CP	<input type="checkbox"/> PB	<input type="checkbox"/> Other_____
K-9596	Grip rails (pair)	<input type="checkbox"/> CP	<input type="checkbox"/> PB	<input type="checkbox"/> Other_____
Optional Accessories				
K-1179	Vinyl tiling-in bead (use when wall material contacts any top surface of bath)	<input type="checkbox"/> NA		

## PRODUCT SPECIFICATION:

The bath whirlpool shall be 59-1/2" in length, 41-5/8" in width, and 21" in height. Bath whirlpool shall be made of acrylic. Bath whirlpool shall have integral fill. Bath whirlpool shall have System II, with 6 Flexjets, 1 hp 2-speed pump with integral heater, and electronic switch. Bath whirlpool shall be UL listed. Bath whirlpool shall have left or right-hand pump. Bath whirlpool shall be less all trim. Bath whirlpool shall be drilled for K-9596 grip rails (required). Bath whirlpool shall be Kohler Model K-\_\_\_\_\_-\_\_\_\_\_-\_\_\_\_\_.

# INFINITY<sup>∞</sup> BATH™

## REQUIRED ELECTRICAL SERVICE

Dedicated circuit required, protected with Class A Ground-Fault Circuit-Interrupter (GFCI):

Pump/control	120 V., 20 A, 60 Hz
--------------	---------------------

## PRODUCT INFORMATION

Fixture*:	basin area	top area	weight
Bathing well	41" x 29"	56" x 36"	140 lbs.
	water depth	capacity	
To overflow	15"	85 gal.	

\* Approximate measurements for comparison only.

Pump:	high HP	low HP	V	Hz	A
2-speed	1	1/8	120	60	16.5

## INSTALLATION NOTES

Each pump is supplied with a grounding type plug-in cord. Locate the outlet behind the whirlpool, and within 24" of the pump.

### Roughing-In Notes

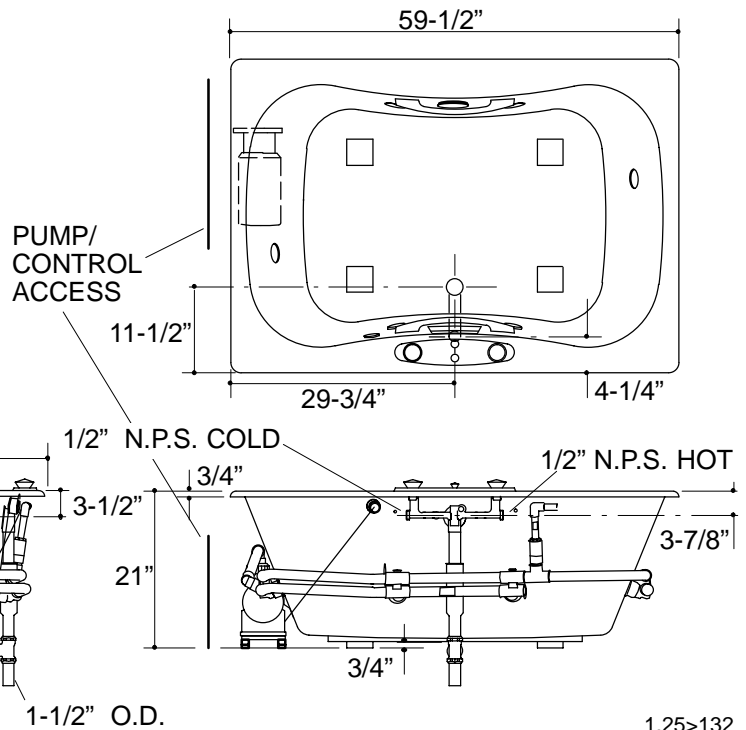
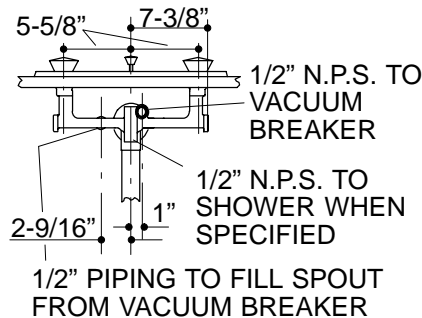
Pump extends 1/2" beyond the bath rim. Make provisions during rough-in or installation.

Cut-out	58" x 40"
---------	-----------

Minimum access:

Pump/control	20" W x 15" H panel	required
--------------	---------------------	----------

### YOKE DETAIL



## PRODUCT DIAGRAM