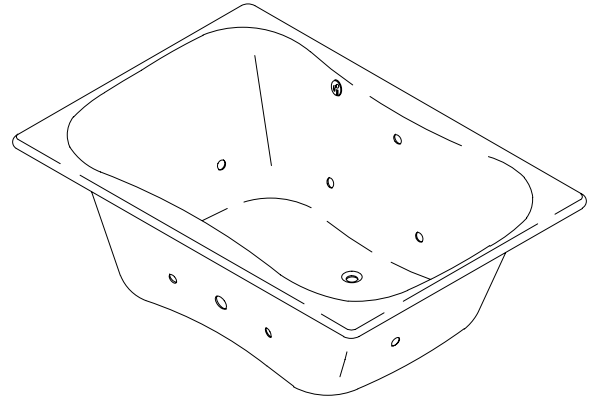


FEATURES

- 59-1/2" x 41-5/8" x 21"
- Acrylic
- System II - 1 hp 2 speed pump with integral heater & electronic switch
- 6 Flexjets
- UL Listed
- Left-hand pump
- LESS ALL TRIM
- Pump is supplied with a grounding-type plug in cord



CODES/STANDARDS APPLICABLE

Specified model meets or exceeds the following:

- ANSI Z124.1
- ASME/ANSI A112.19.7M
- IAPMO/UPC
- Underwriters Laboratories (UL)
- State of Massachusetts
- Dade County, Florida

COLORS/FINISHES

- 0 White
- Other Refer to Fixtures Price Book for additional colors

SPECIFIED MODEL:

Model	Description	Colors/Finishes		
K-1487-H	Bath whirlpool	<input type="checkbox"/> 0 White	<input type="checkbox"/> Other_____	
Required Accessories				
K-9696	Jet trim kit	<input type="checkbox"/> CP	<input type="checkbox"/> PB	<input type="checkbox"/> Other_____
Recommended Accessories				
K-7161-AF	Drain	<input type="checkbox"/> CP	<input type="checkbox"/> PB	<input type="checkbox"/> Other_____
Optional Accessories				
K-1179	Vinyl tiling-in bead (use when wall material contacts any top surface of bath)	<input type="checkbox"/> NA		

PRODUCT SPECIFICATION:

The bath whirlpool shall be 59-1/2" in length, 41-5/8" in width, and 21" in height. Bath whirlpool shall be made of acrylic. Bath whirlpool shall have System II, with 6 Flexjets, 1 hp 2-speed pump with integral heater, and electronic switch. Bath whirlpool shall be UL listed. Bath whirlpool shall have left-hand pump. Bath whirlpool shall be less all trim. Bath whirlpool pump shall be supplied with a grounding-type plug-in cord. Bath whirlpool shall be Kohler Model K-1487-H-_____.

INFINITY[∞] BATH™

REQUIRED ELECTRICAL SERVICE

Dedicated circuit required, protected with Class A Ground-Fault Circuit-Interrupter (GFCI):	
Pump/control	120 V., 20 A, 60 Hz

PRODUCT INFORMATION

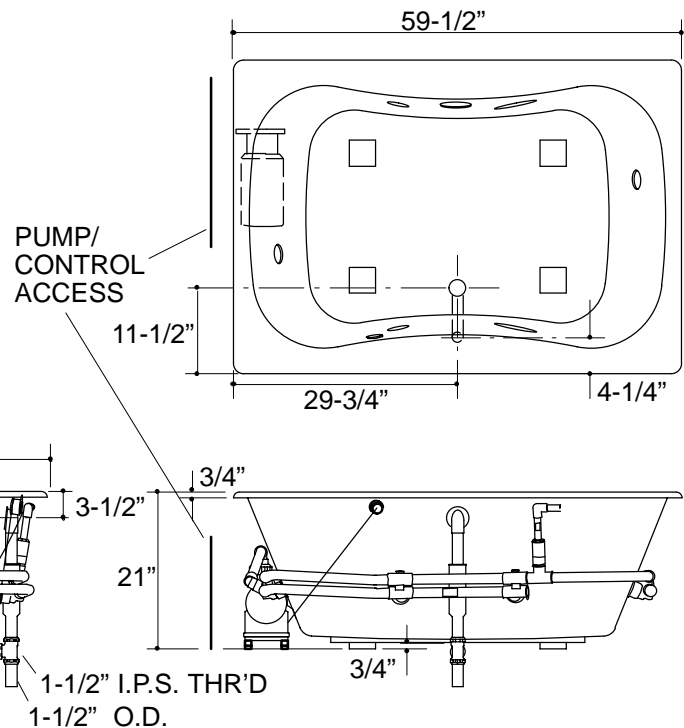
Fixture*:	basin area	top area	weight		
Bathing well	41" x 29"	56" x 36"	130 lbs.		
	water depth	capacity			
To overflow	15"	85 gals.			
* Approximate measurements for comparison only.					
Pump:	high HP	low HP	V	Hz	A
2-speed	1	1/8	120	60	16.5

INSTALLATION NOTES

If installing a rim-mount faucet, make sure there is no interference with drain overflow and circulating system before drilling any holes. Consult local and national codes for minimum air gap requirements if installing a spout on the faucet deck.

Each pump is supplied with a grounding type plug-in cord. Locate the outlet behind the whirlpool, and within 24" of the pump.

Roughing-In Notes		
Pump extends 1/2" beyond the bath rim. Make provisions during rough-in or installation.		
No change in measurements if connected with drain illustrated.		
Cut-out	58" x 40"	
Minimum access:		
Pump/control	20" W x 15" H panel	required



1.25>132

PRODUCT DIAGRAM