

## Ordering Information

Applicable product:		
Right outlet	K-1460-H	shown
Left outlet	K-1461-H	not shown
Accessories/hardware:		
Jet trim kit	K-9696	required
Drain	K-7161-AF	recommended
Apron	K-1445	optional
Vinyl tiling-in bead*	K-1177	optional
*Use K-1177 vinyl bead when wall material contacts any top surface of bath.		

## Required Electrical Service

Dedicated circuit required, protected with Class A Ground-Fault Circuit-Interrupter (GFCI):	
Pump/control	120 V., 20 A, 60 Hz

## Product Information

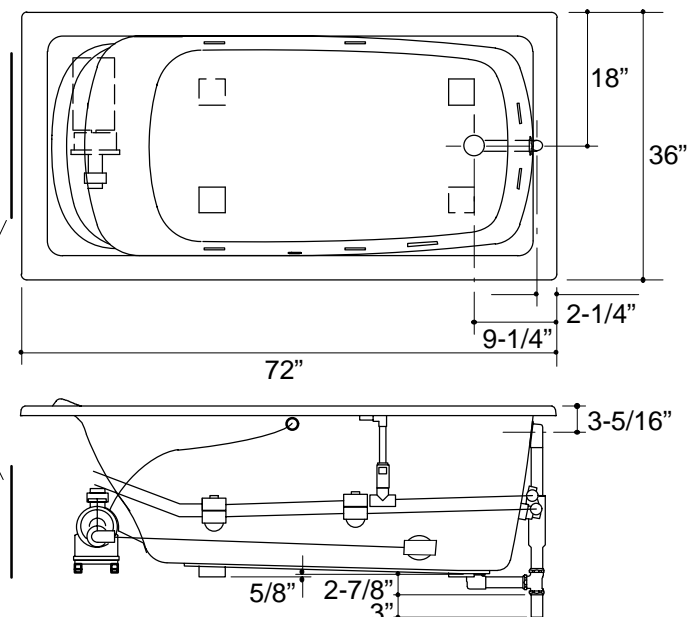
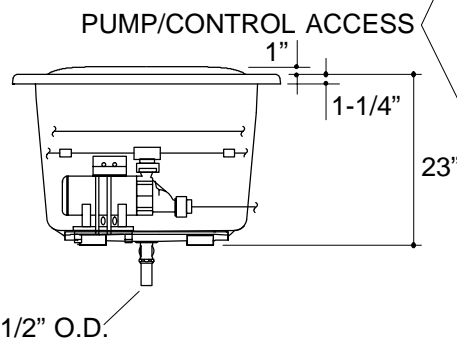
Fixture*:	basin area	top area	weight		
Bathing well	49-1/2" x 26-1/4"	60-1/4" x 29-1/2"	135 lbs		
	water depth	capacity			
To overflow	17-3/4"	100 gals.			
* Approximate measurements for comparison only.					
Pump:	high HP	low HP	V	Hz	A
2-speed	1	1/8	120	60	16.5

## Installation Notes

Refer to installation instructions included with fixture before beginning installation.

Each pump is supplied with a grounding type plug-in cord. Locate the outlet behind the whirlpool, and within 24" of the pump.

<b>Roughing-In Notes</b>		
Fixture conforms to ANSI Standard Z124.1. All dimensions are nominal.		
No change in measurements if connected with drain illustrated.		
Cut-out	70-1/2" x 34-1/2"	
Minimum access panel (if optional apron is not used):		
Pump/control	20" W x 15" H panel	required



1.25>132

1-1/2" O.D.