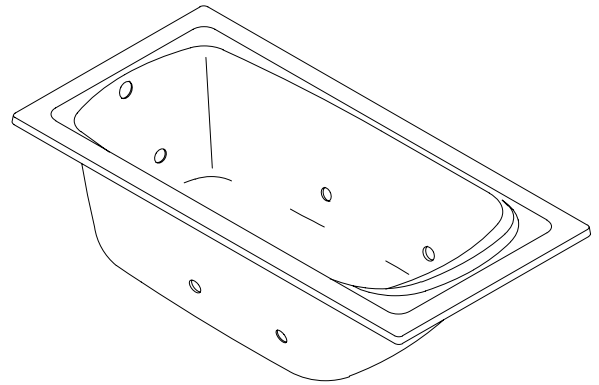


6' BATH WHIRLPOOL

K-1460-H, K-1461-H

FEATURES

- 72" x 36" x 23"
- Acrylic
- Left or right outlet
- System II - 1 hp 2 speed pump with integral heater & electronic switch
- 6 Flexjets
- UL Listed
- LESS ALL TRIM
- Optional K-1445 front apron
- Pump is supplied with a grounding-type plug in cord



CODES/STANDARDS APPLICABLE

Specified model meets or exceeds the following:

- ANSI Z124.1
- ASME/ANSI A112.19.7M
- IAPMO/UPC
- Underwriters Laboratories (UL)
- State of Massachusetts
- Dade County, Florida
- City of Los Angeles, CA

COLORS/FINISHES

- 0 White
- Other Refer to Fixtures Price Book for additional colors

Accessories:

- CP Polished Chrome
- PB Polished Brass
- Other Refer to Faucets Price Book for additional finishes
- NA None Applicable

SPECIFIED MODEL:

Model	Description	Colors/Finishes	
K-1460-H	6' bath whirlpool with outlet at right	<input type="checkbox"/> 0 White	<input type="checkbox"/> Other_____
K-1461-H	6' bath whirlpool with outlet at left	<input type="checkbox"/> 0 White	<input type="checkbox"/> Other_____

Required Accessories			
K-9696	Jet trim kit	<input type="checkbox"/> CP	<input type="checkbox"/> PB <input type="checkbox"/> Other_____
Recommended Accessories			
K-7161-AF	Drain	<input type="checkbox"/> CP	<input type="checkbox"/> PB <input type="checkbox"/> Other_____
Optional Accessories			
K-1445	Apron (removable)	<input type="checkbox"/> 0 White	<input type="checkbox"/> Other_____
K-1177	Vinyl tiling-in bead (use when wall material contacts any top surface of bath)		<input type="checkbox"/> NA

PRODUCT SPECIFICATION:

The bath whirlpool shall be 72" in length, 36" in width, and 23" in height. Bath whirlpool shall be made of acrylic. Bath whirlpool shall have an outlet left or right. Bath whirlpool shall have System II, with 6 Flexjets, 1 hp 2-speed pump with integral heater, and electronic switch. Bath whirlpool shall be UL listed. Bath whirlpool shall be less all trim. Bath whirlpool shall have optional K-1445 front apron. Bath whirlpool pump shall be supplied with a grounding-type plug-in cord. Bath whirlpool shall be Kohler Model K-_____-_____-_____.

PORTRAIT™

REQUIRED ELECTRICAL SERVICE

Dedicated circuit required, protected with Class A Ground-Fault Circuit-Interrupter (GFCI):

Pump/control	120 V., 20 A, 60 Hz
--------------	---------------------

PRODUCT INFORMATION

Fixture*:	basin area	top area	weight
Bathing well	49-1/2" x 26-1/4"	60-1/4" x 29-1/2"	135 lbs
	water depth	capacity	
To overflow	17-3/4"	100 gals.	

* Approximate measurements for comparison only.

Pump:	high HP	low HP	V	Hz	A
2-speed	1	1/8	120	60	16.5

INSTALLATION NOTES

Each pump is supplied with a grounding type plug-in cord. Locate the outlet behind the whirlpool, and within 24" of the pump.

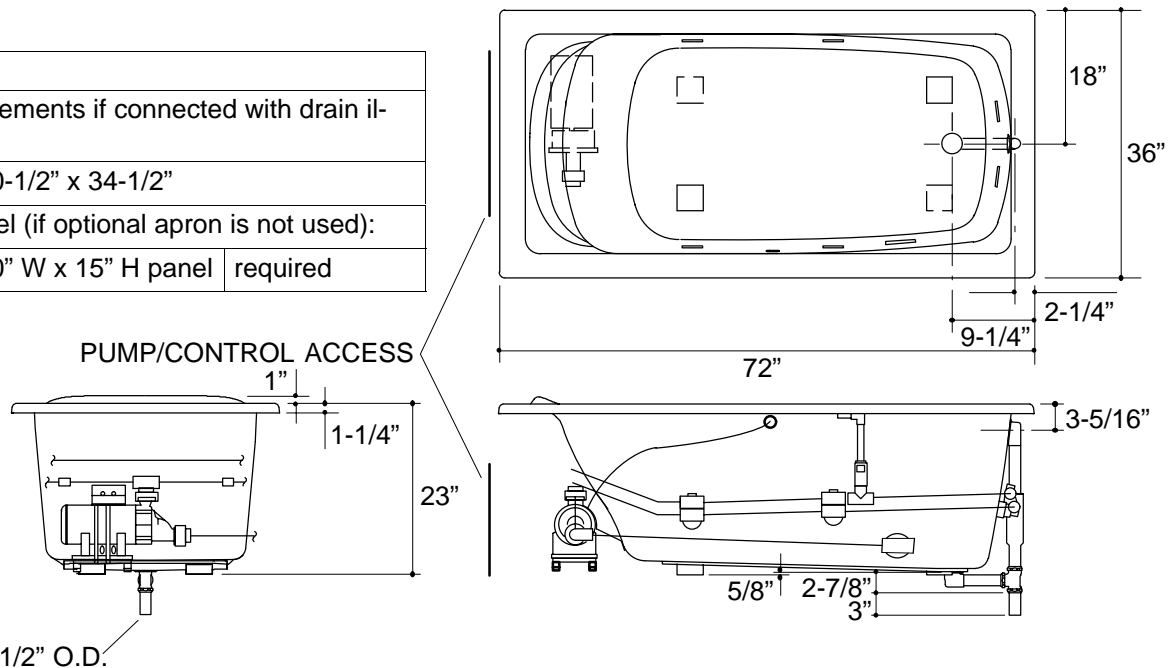
Roughing-In Notes

No change in measurements if connected with drain illustrated.

Cut-out	70-1/2" x 34-1/2"
---------	-------------------

Minimum access panel (if optional apron is not used):

Pump/control	20" W x 15" H panel	required
--------------	---------------------	----------



1.25>132

1-1/2" O.D.

PRODUCT DIAGRAM

K-1460-H, K-1461-H Portrait™ 6' Whirlpool

Page 2 of 2

114371-4-BA (B)

THE BOLD LOOK
OF **KOHLER**®