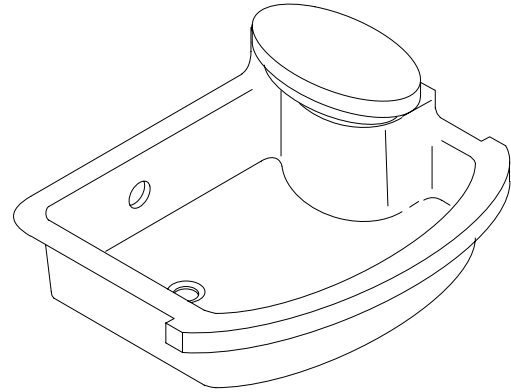


FEATURES

- 54" x 44-1/4" x 13"
- Acrylic
- 2 hp variable flow pump, integral heater and suction housing
- Left or right outlet
- Sliding seat
- Recirculating pump delivers flows up to 80 gallons per minute of powerful hydro-massage
- Order one Tower, Bath/Footbath, and Enclosure for each complete BodySpa installation

K-1015, K-1016



CODES/STANDARDS APPLICABLE

Specified model meets or exceeds the following:

- ANSI Z124.1
- ASME/ANSI A112.19.7M
- IAPMO/UPC
- Underwriters Laboratories (UL)
- State of Massachusetts

COLORS/FINISHES

- 0 White
- Other Refer to Fixtures Price Book for additional colors

Accessories:

- CP Polished Chrome
- PB Polished Brass
- SS Satin Silver
- SB Satin Brass
- Other Refer to Faucets Price Book for additional finishes

SPECIFIED MODEL:

Model	Description	Colors/Finishes	
K-1015	Footbath with outlet at left	<input type="checkbox"/> 0 White	<input type="checkbox"/> Other _____
K-1016	Footbath with outlet at right	<input type="checkbox"/> 0 White	<input type="checkbox"/> Other _____

Required Accessories				
K-1000	BodySpa 10-Jet Tower	<input type="checkbox"/> CP	<input type="checkbox"/> PB	<input type="checkbox"/> Other _____
K-5161-L	Alcove enclosure (shower doors)	<input type="checkbox"/> SS	<input type="checkbox"/> SB	<input type="checkbox"/> 0 White
Recommended Accessories				
K-7160-AF	Drain	<input type="checkbox"/> CP	<input type="checkbox"/> PB	
K-1099	Taboret Rite-Temp OR	<input type="checkbox"/> CP	<input type="checkbox"/> PB	
K-1098	Taboret Two-handle	<input type="checkbox"/> CP	<input type="checkbox"/> PB	

PRODUCT SPECIFICATION:

The footbath shall be 54" in length, 44-1/4" in width, and 13" in height. Footbath shall be made of acrylic. Footbath shall have 2 hp variable flow pump, integral heater, and suction housing. Footbath shall have an outlet at left or right. Footbath shall have sliding seat. Footbath recirculating pump shall deliver flows up to 80 gallons per minute of powerful hydro-massage. Footbath shall be configured with BodySpa 10-Jet Tower, and BodySpa Enclosure. Footbath shall be Kohler Model K-_____ - _____.

BODYSPA

REQUIRED ELECTRICAL SERVICE

Dedicated circuit required, protected with Class A Ground-Fault Circuit-Interrupter (GFCI):	
Pump supplied with grounding type plug-in cord. Locate outlet behind whirlpool, and within 24" of pump.	
Pump/control	120 V., 20 A, 60 Hz

PRODUCT INFORMATION

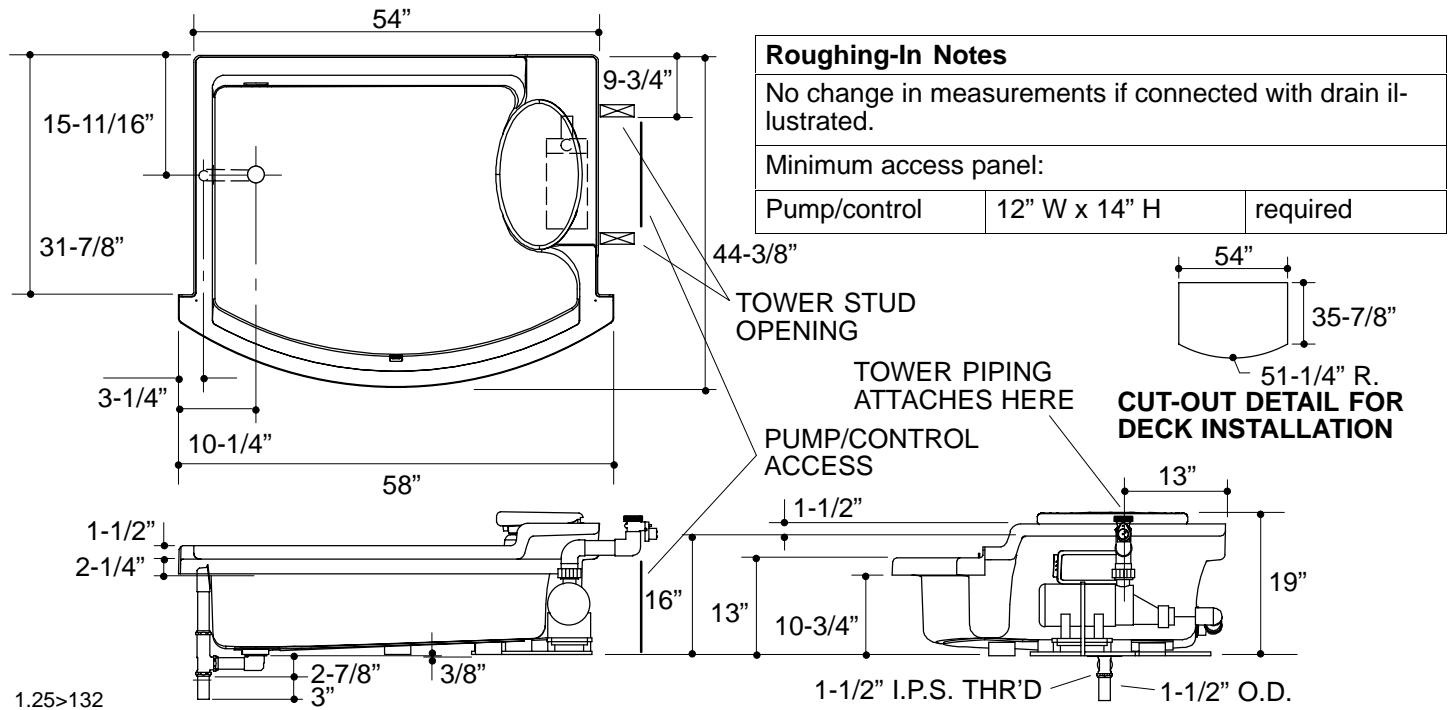
Fixture*:	basin area	top area	weight	
Bathing well	37" x 36"	38" x 37"	115 lbs.	
	water depth	capacity		
To overflow	8-1/4"	43 gal.**		
* Approximate measurements for comparison only.				
** 37 gallon minimum required for BodySpa operation.				
Pump:	HP	V	Hz	A
1-speed	2	120	60	18.5

INSTALLATION NOTES

Stud placement is critical. Follow installation instruction stud pocket preparation.

Allow 83-1/2" to 84" from sub-floor to finished ceiling or header for proper enclosure installation.

Enclose top of unit to retain heat and contain water spray. The BodySpa is not designed for steam applications, and may not perform satisfactorily as a steam unit.



PRODUCT DIAGRAM