

Ordering Information

Accessories/hardware:		
Tower	K-1030	required
Corner enclosure	K-5162	required
Drain	K-7160-TF	recommended
Taboret Rite-Temp	K-1099	recommended
Taboret Two-handle	K-1098	

Requirements Electrical Service

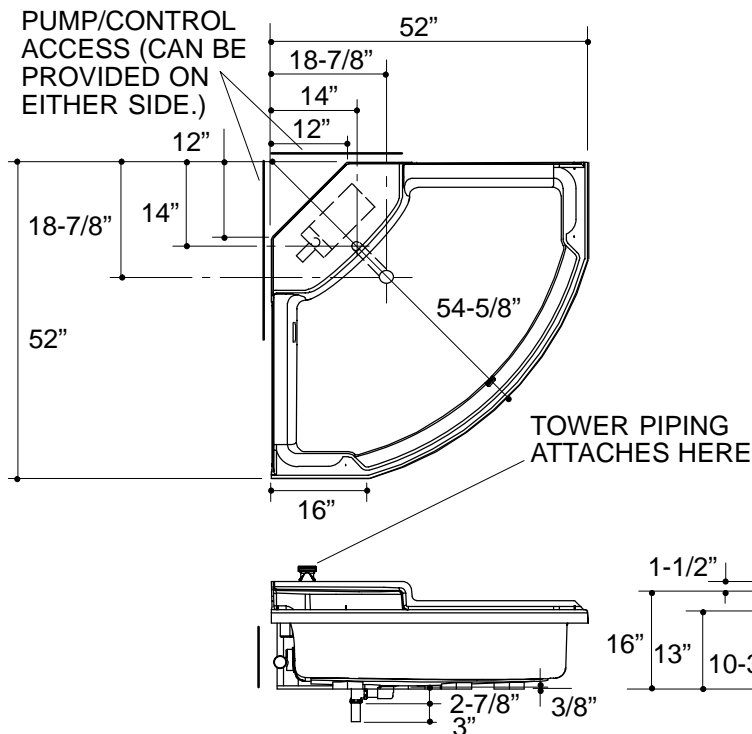
Dedicated circuit required, protected with Class A Ground-Fault Circuit-Interrupter (GFCI):	
Pump supplied with grounding type plug-in cord. Locate outlet behind whirlpool, and within 24" of pump.	
Pump/control	120 V., 20 A, 60 Hz

PRODUCT INFORMATION

Fixture*:	basin area	top area	weight	
Bathing well	60" x 28"	62" x 29"	110 lbs.	
	water depth	capacity		
To overflow	10-1/2"	43 gal.**		
* Approximate measurements for comparison only. ** 37 gallon minimum required for BodySpa operation.				
Pump:	HP	V	Hz	A
1-speed	2	120	60	18.5

Installation Notes

Refer to installation instructions included with fixture before beginning installation. Stud placement is critical. Follow installation instruction stud pocket preparation. Locate control switch within boundaries of enclosure. 6' cable included. Allow 83-1/2" to 84" from sub-floor to finished ceiling or header for proper enclosure installation. Enclose top of unit to retain heat and contain water spray. The BodySpa is not designed for steam applications, and may not perform satisfactorily as a steam unit.



Roughing-In Notes		
Fixture conforms to ANSI Standard Z124.1. All dimensions are nominal.		
No change in measurements if connected with drain illustrated.		
* Switch 1-5/8" D., blind installation 1-7/8" D. to 2-1/2" D.		
Minimum access panel:		
Pump/control	29" W x 12" H	required

