

Ordering Information

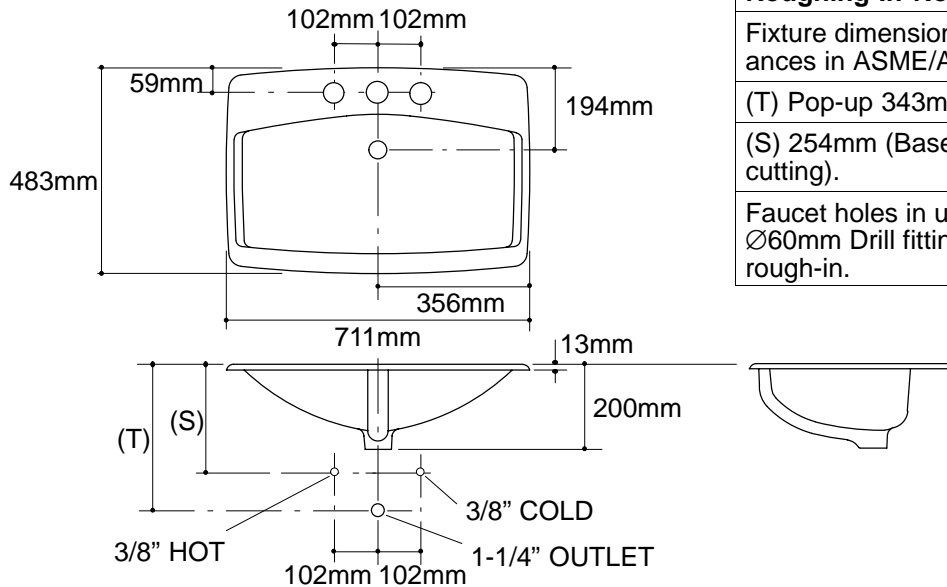
Applicable product:		
203mm centers lavatory	K-2885-8U	shown

Product Information

ADA compliant.			
Fixture*:		basin area	water depth
Lavatory		610 x 330mm	108mm
Outlet	Ø43mm		

* Approximate measurements for comparison only.

Included Components:	
Overflow ferrule (1)	44071
Basin clamp assembly	52047
Cutout template	114408-7



Roughing-In Notes
Fixture dimensions are nominal and conform to tolerances in ASME/ANSI Standard A112.19.1M.
(T) Pop-up 343mm.
(S) 254mm (Based on 305mm riser which may require cutting).
Faucet holes in undercounter fixture are oversized at Ø60mm Drill fitting holes in counter according to fitting rough-in.