

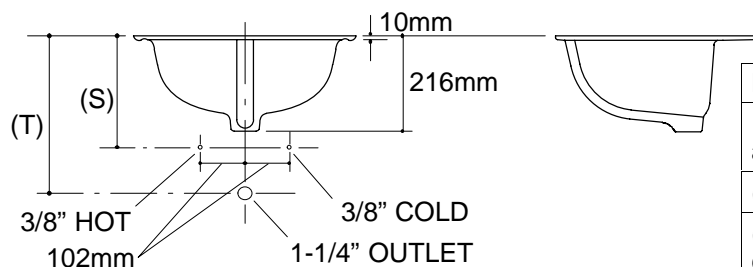
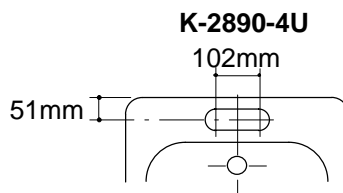
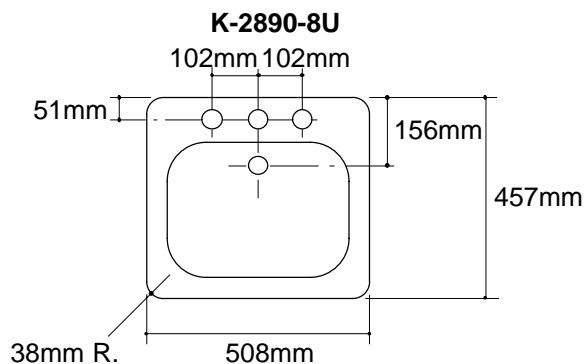
**Ordering Information**

Applicable product:		
203mm centers lavatory	K-2890-8U	shown
102mm centers lavatory	K-2890-4U	not shown

**Product Information**

Fixture*:		basin area	water depth
Lavatory		406 x 305mm	127mm
Outlet	Ø43mm		
* Approximate measurements for comparison only.			

Included Components:	
Overflow ferrule (1)	44071
Basin clamp assembly	52047
Cutout template	114409-7



**Roughing-In Notes**

Fixture dimensions are nominal and conform to tolerances in ASME/ANSI Standard A112.19.1M.

(T) Pop-up drain typically 359mm, drain typically 337mm.

(S) 254mm (Based on 305mm riser which may require cutting).

Faucet holes in undercounter fixture are oversized at Ø60mm Drill fitting holes in counter according to fitting rough-in.

1.05>116