

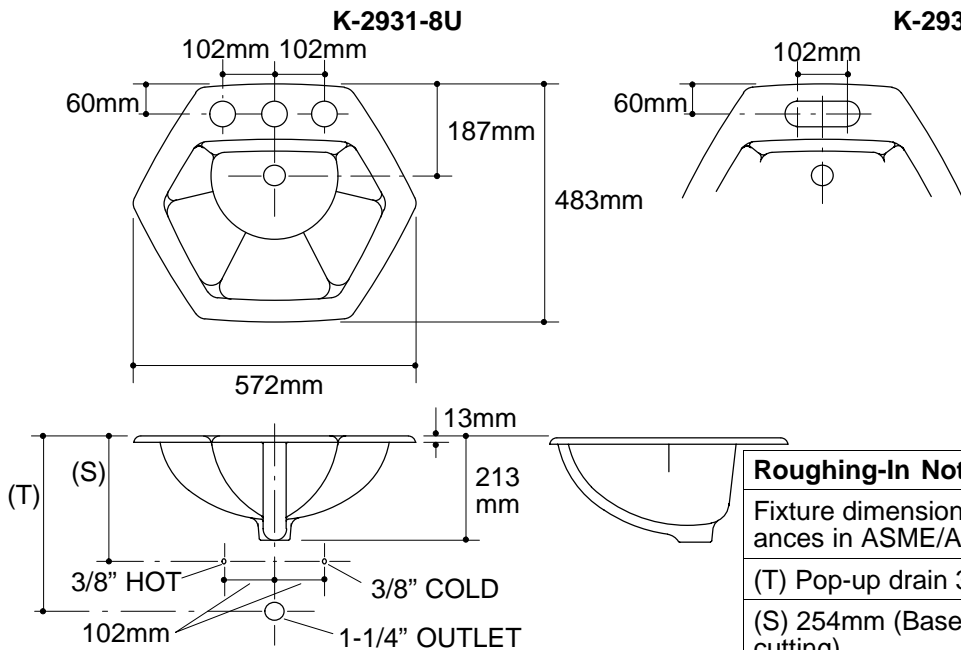
Ordering Information

Applicable product:		
203mm centers lavatory	K-2931-8U	shown
102mm centers lavatory	K-2931-4U	not shown

Product Information

Fixture*:		basin area	water depth
Lavatory		457 x 330mm	121mm
Outlet	Ø43mm		
* Approximate measurements for comparison only.			

Included Components:	
Overflow ferrule (1)	44071
Basin clamp assembly	52047
Cutout template	114410-7



Roughing-In Notes
Fixture dimensions are nominal and conform to tolerances in ASME/ANSI Standard A112.19.1M.
(T) Pop-up drain 356mm, grid drain 333mm.
(S) 254mm (Based on 305mm riser which may require cutting).
Faucet holes in undercounter fixture are oversized at Ø60mm Drill fitting holes in counter according to fitting rough-in.

116