

Ordering Information

Applicable product:		
Vessels™ Turnings	K-2191	shown
Vessels™ Conical Bell	K-2200	not shown
Accessories/hardware:		
P-trap	K-9018	recommended
Falling Water faucet 6-1/4" spout	K-T194	recommended
Falling Water faucet 8-1/4" spout	K-T196	recommended
Falling Water fct 10-1/4" spout	K-T198	recommended
Wall mount valve	K-307-K	*required
Pop-up drain with undercounter-mount actuator	K-7702	recommended
Drain	K-7710	recommended
Grid drain	K-7715	recommended
Vessels wall-mount bracket	K-9655	optional
*Valve must be ordered to complete Falling Water faucet.		

Product Information

Fixture*:		basin area	water depth
Lavatory		15-7/8" D.	4-1/4"
Outlet	1-3/4" D.		

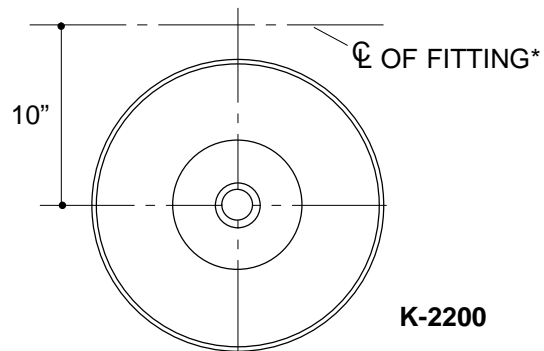
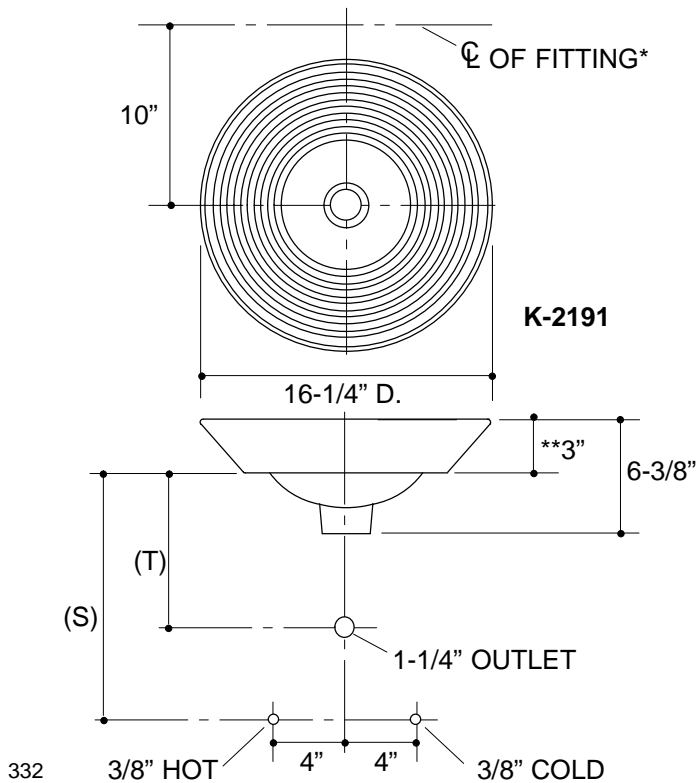
* Approximate measurements for comparison only.

Included Components:	
Adhesive sealant	81489
Adjustable linkage	84474
Cutout template	114430-7

Installation Notes

Refer to installation instructions included with fixture before beginning installation.

Product does not have an overflow.



Roughing-In Notes

Fixture dimensions are nominal and conform to tolerances in ASME Standard A112.19.2M.

(T) Pop-up drain 9".

(S) 14" (Based on 12" riser which may require cutting).

*Spout must be 5" long (min.) for adequate clearance into lavatory when installed with centerline as shown.

**Spout must be tall enough to clear 3" rim height and provide a 1" air gap per ASME A112.1.2