

Ordering Information

Accessories/hardware:		
P-trap	K-9018	recommended
Pop-up drain with undercounter-mount actuator	K-7702	recommended
Drain	K-7710	recommended
Grid drain	K-7715	recommended

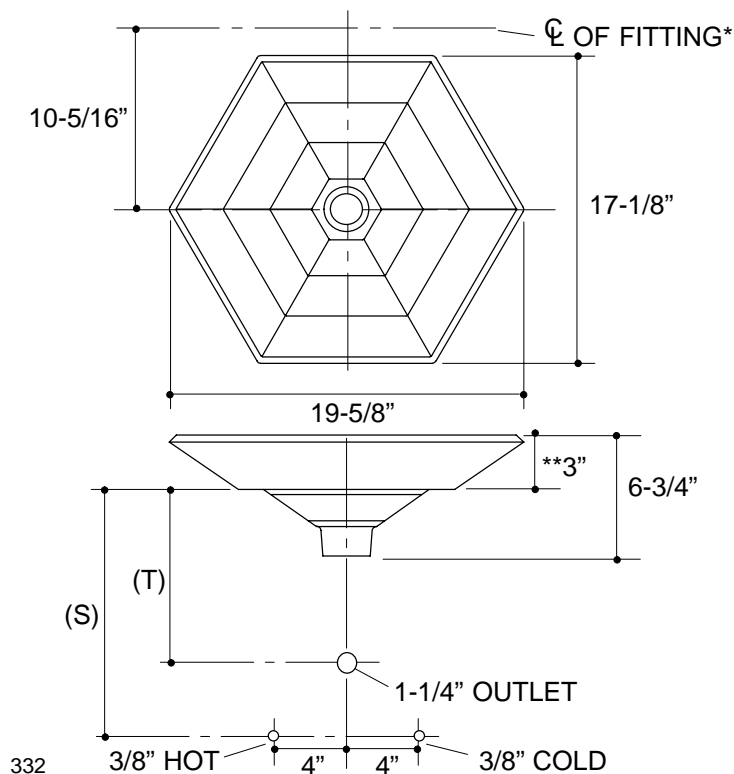
Product Information

Fixture*:		basin area	water depth
Lavatory		19" x 16"	4-1/4"
Outlet	1-3/4" D.		
* Approximate measurements for comparison only.			
Included Components:			
Adhesive sealant		81489	
Adjustable linkage		84474	
Cutout template		114430-7	

Installation Notes

Refer to installation instructions included with fixture before beginning installation.

Product does not have an overflow.



Roughing-In Notes

Fixture dimensions are nominal and conform to tolerances in ASME Standard A112.19.2M.

(T) Pop-up drain 9-3/8".

(S) 14" (Based on 12" riser which may require cutting).

*Spout must be 5" long (min.) for adequate clearance into lavatory when installed with centerline as shown.

**Spout must be tall enough to clear 3" rim height and provide a 1" air gap per ASME A112.1.2