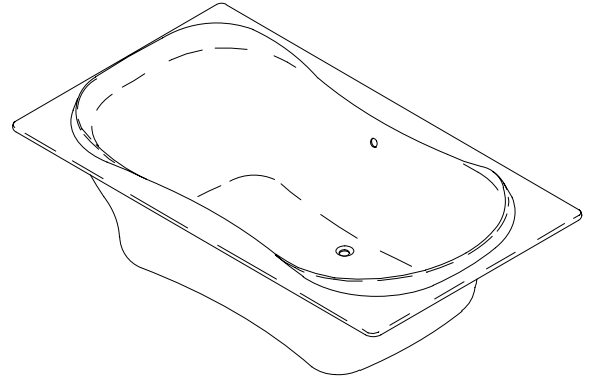


FEATURES

- 72" x 41-5/8" x 21"
- Acrylic



CODES/STANDARDS APPLICABLE

Specified model meets or exceeds the following:

- ANSI Z124.1
- State of Massachusetts

COLORS/FINISHES

- 0 White
- Other Refer to Fixtures Price Book for additional colors

Accessories:

- CP Polished Chrome
- PB Polished Brass
- Other Refer to Faucets Price Book for additional finishes
- NA None Applicable

SPECIFIED MODEL:

Model	Description	Colors/Finishes		
K-1468	Bath	<input type="checkbox"/> 0 White	<input type="checkbox"/> Other_____	
Required Accessories				
K-7161-AF	Drain	<input type="checkbox"/> CP	<input type="checkbox"/> PB	<input type="checkbox"/> Other_____
Optional Accessories				
K-1179	Vinyl tiling-in bead (use when wall material contacts any top surface of bath)	<input type="checkbox"/> NA		

PRODUCT SPECIFICATION:

The bath shall be 72" in length, 41-5/8" in width, and 21" in height. Bath shall be made of acrylic. Bath shall be Kohler Model K-1468-_____.

INFINITY[∞] BATH™

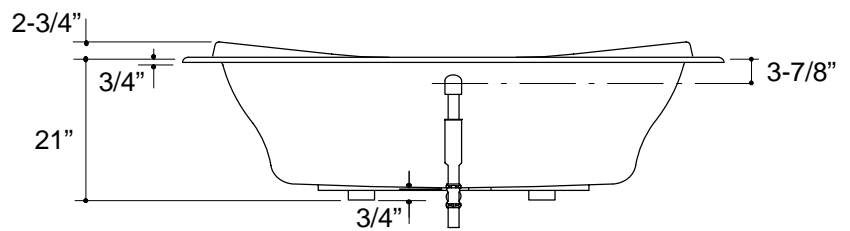
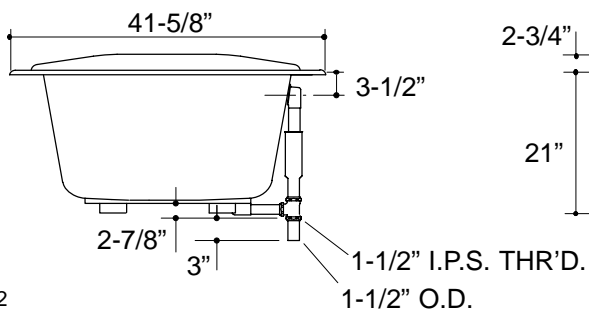
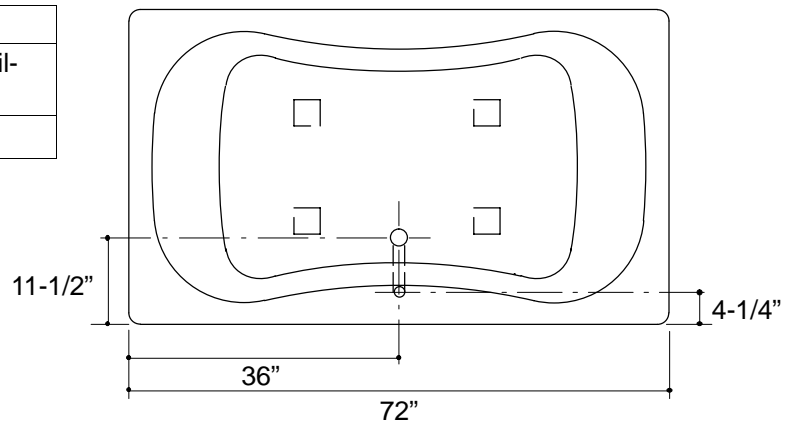
PRODUCT INFORMATION

Fixture*:	basin area	top area	weight
Bathing well	48" x 30"	62" x 36"	115 lbs.
	water depth	capacity	
To overflow	15"	96 gals.	
* Approximate measurements for comparison only.			

Roughing-In Notes

No change in measurements if connected with drain illustrated.

Cut-out	70-1/2" x 40"
---------	---------------



1.25>132

PRODUCT DIAGRAM