

## Ordering Information

Accessories/hardware:		
Drain	K-7161-AF	recommended
Vinyl tiling-in bead*	K-1179	optional
*Use K-1179 vinyl bead when wall material contacts any top surface of bath		

## Product Information

Fixture*:	basin area	top area	weight
Bathing well	1219 x 762mm	1575 x 914mm	52 Kg.
	water depth	capacity	
To overflow	381mm	363 litres	
* Approximate measurements for comparison only.			

## Installation Notes

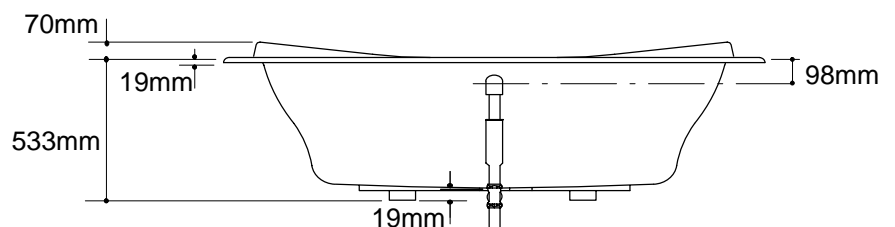
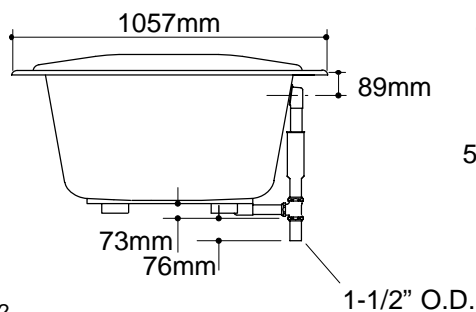
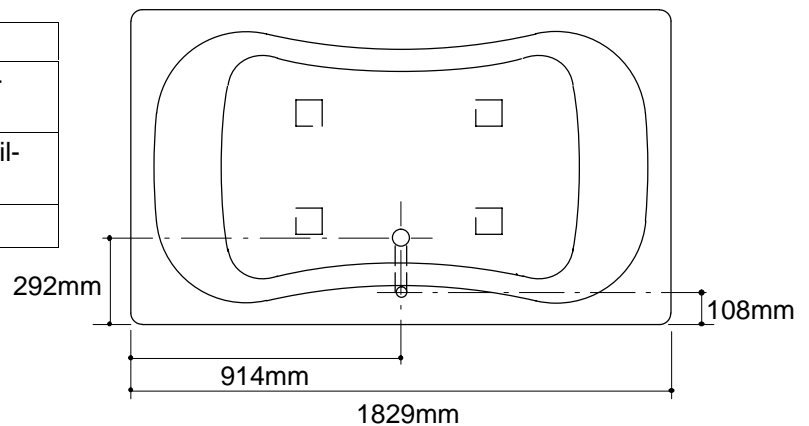
Refer to installation instructions included with fixture before beginning installation.

### Roughing-In Notes

Fixture dimensions are nominal and conform to tolerances in ANSI Standard Z124.1.

No change in measurements if connected with drain illustrated.

Cut-out	1791 x 1016mm
---------	---------------



1.25>132

1-1/2" O.D.