

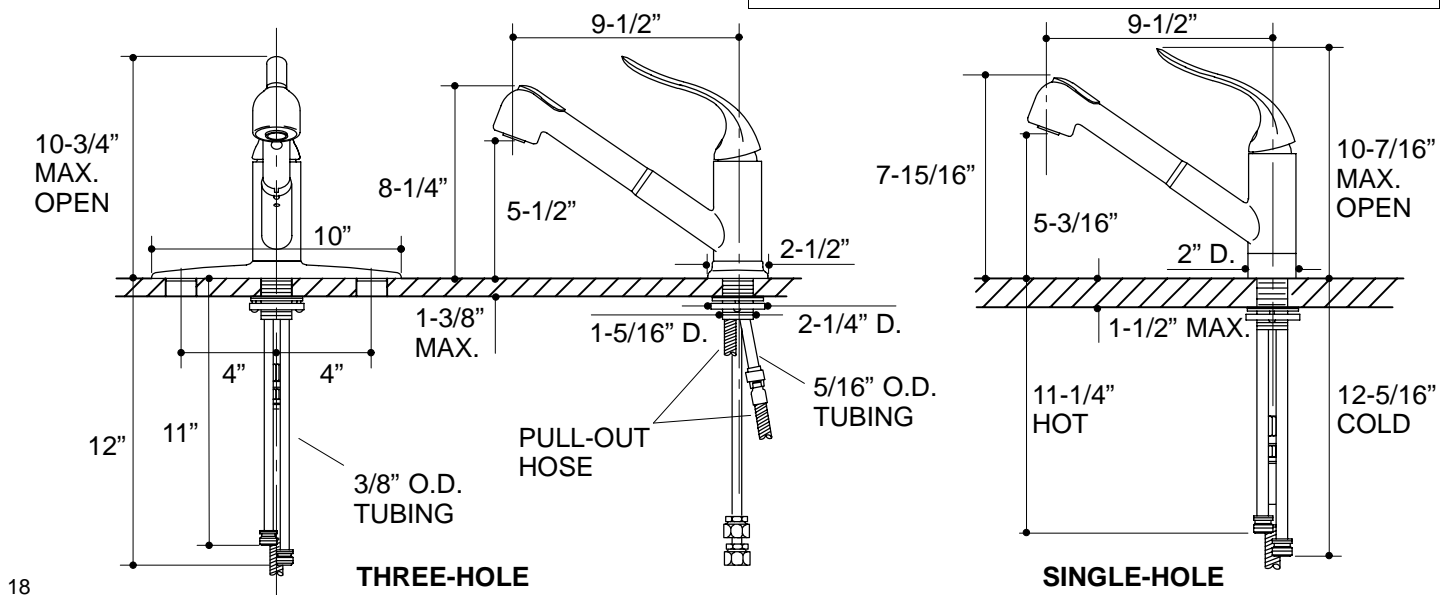
## Ordering Information

Applicable faucet	
White spray and chrome faucets	K-15170-AP
Almond spray and chrome faucets	K-15170-MP
Black spray and black faucets	K-15170-7
White spray and white faucets	K-15170-0
Almond spray and almond faucets	K-15170-47
Chrome spray and chrome faucets	K-15170-CP
<b>ADA</b> Lever handle is ADA compliant	

### Roughing-In Notes

Meets all local plumbing codes for vacuum breaker requirements.

All necessary parts included for both single-hole and three-hole installation.



**K-15170** Coralais™ Kitchen Sink Faucet  
114454-1-CA (-)

**NOTES:**