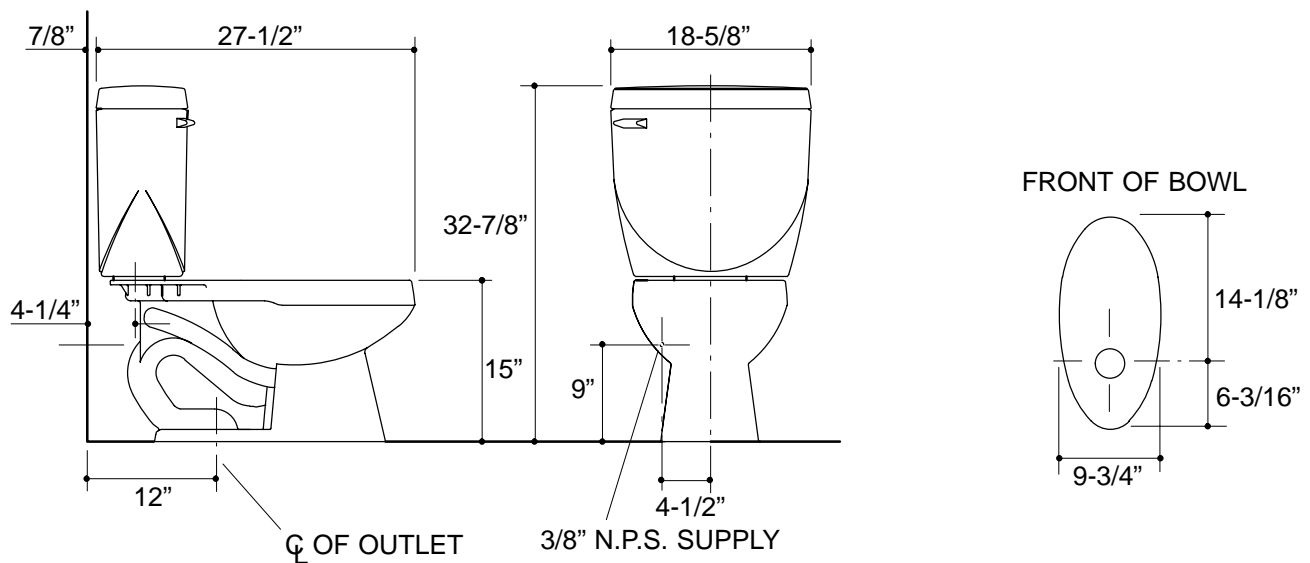


Ordering Information

Applicable product:		
Toilet with standard tank	K-3472	shown
Toilet with insuliner tank	K-3472-U	not shown
Accessories/hardware:		
3/8" supply	K-7637	recommended
Floor bolts (pr.)	21401	recommended
Seat	K-4662	recommended

Product Information

Fixture:	
Configuration	2-piece, round front
Gallons per flush	1.6 gallons
Passageway	1-3/4"
Water area	9-1/2" x 8-1/2"
Water depth from rim	6-3/4"
Seat post hole centers	5-1/2"
Included Components:	
Bowl	K-4237
Tank	K-4591
Tank cover	80576
Bolt cap accessory pack	52048
Tank accessory pack	73062
Trip lever	K-9408



Roughing-In Notes

Fixture dimensions are nominal and conform to tolerances in ASME Standard A112.19.2M.

.9<116