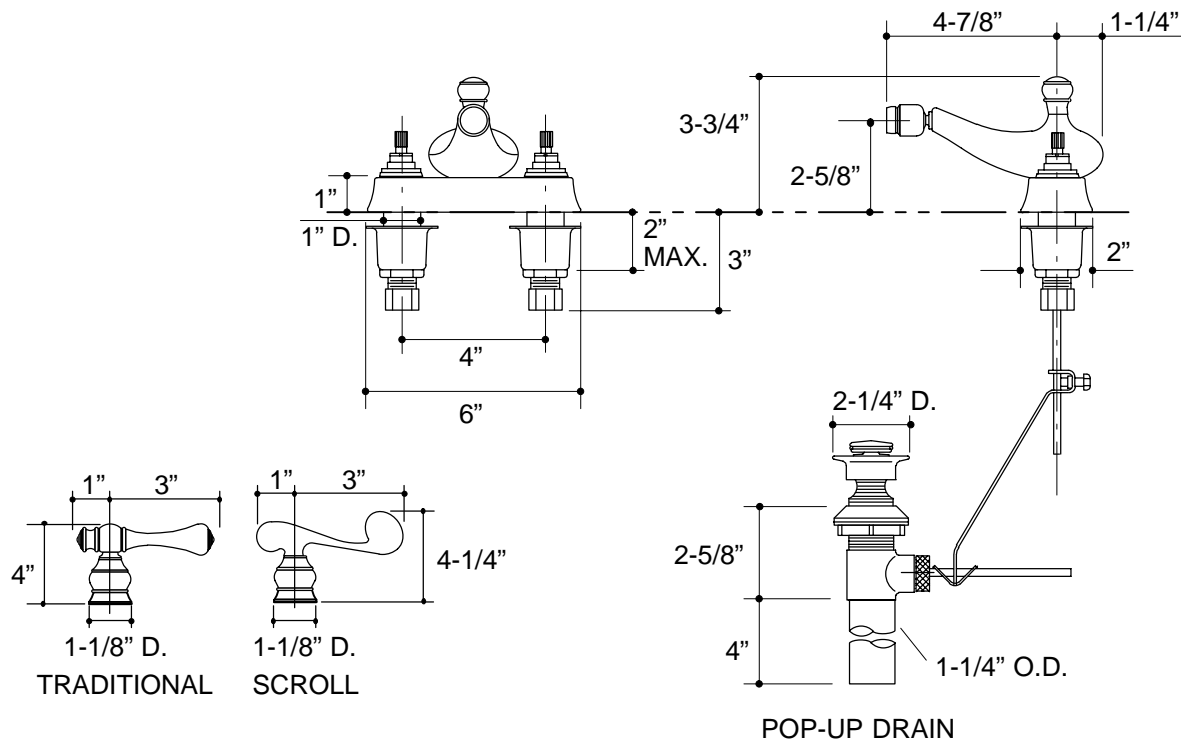


**Ordering Information**

Applicable faucet with drain:	
With scroll handle	K-16131-4
With traditional handle	K-16131-4A
<b>ADA</b> Traditional and scroll lever handles are ADA compliant	



316

**K-16131** Revival™ Bidet Faucet  
114477-1-BA (9619)

**NOTES:**