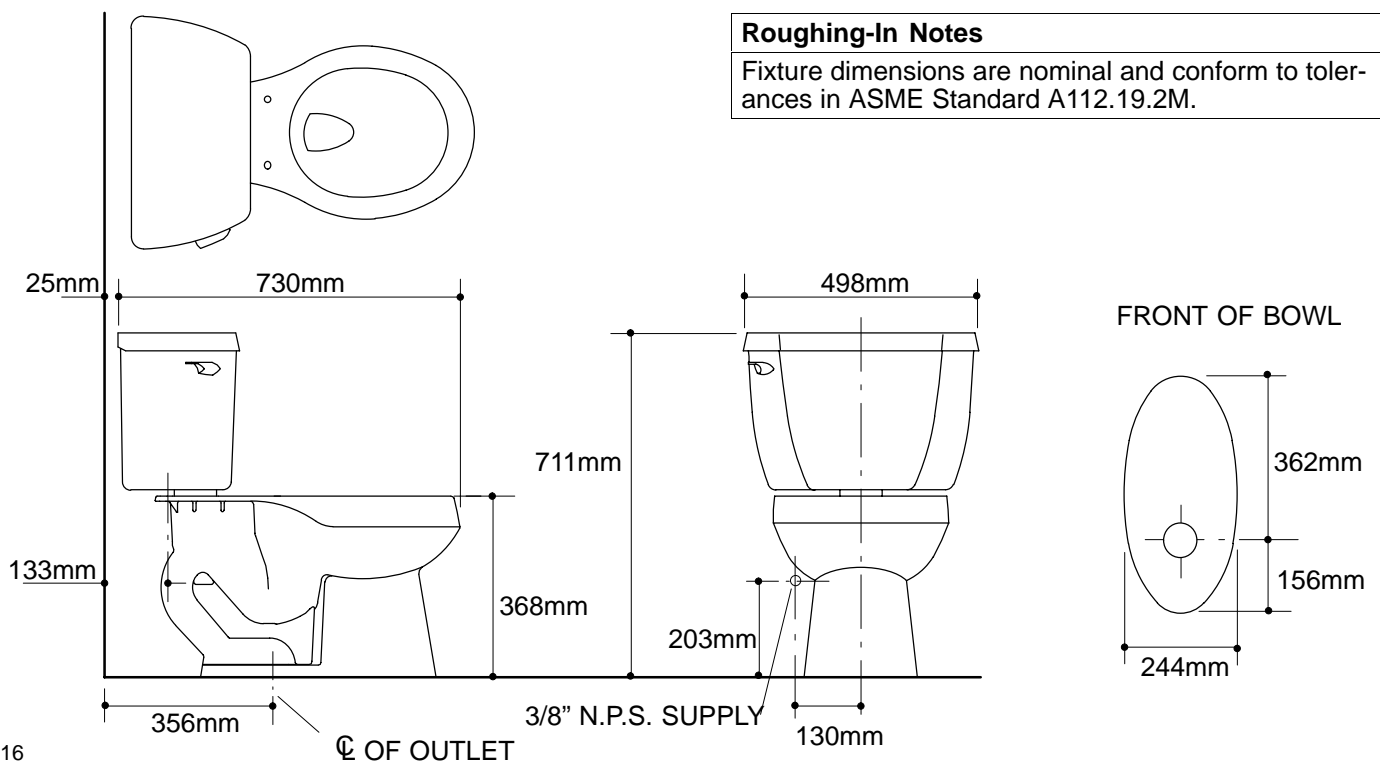


Ordering Information

Applicable toilet:		
2-piece toilet with round bowl		
With standard tank	K-3433	shown
With insuliner	K-3433-U	not shown
With locks	K-3433-T	not shown
With cover locks and insuliner tank	K-3433-UT	not shown
Accessories/hardware:		
3/8" supply	K-7637	recommended
Floor bolts (pr.)	21401	recommended
Seat	K-4662	recommended

Product Information

Fixture:	
Configuration	2-piece, round front
Litres per flush	6 litres
Passageway	51mm
Water depth from rim	152mm
Seat post hole centers	140mm
Included Components:	
Bowl	K-4277
Tank	K-4621
Tank cover	84095
Trip lever	K-9404



116

K-3433 Wellworth™ Toilet
114503-1M-BA (-)