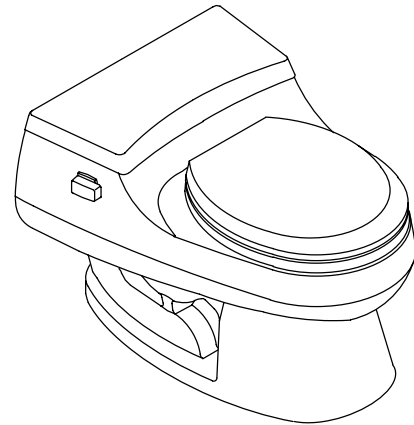


### FEATURES

- 12" rough-in
- Vitreous china
- One-piece-quiet flush
- Round front bowl
- Gravity Lite™ system
- Dual overflow system
- EPDM flapper
- Brass supply shank
- Includes Lustra™ seat
- Less supply
- 1.6 gpf
- Includes polished chrome metal trip lever



### CODES/STANDARDS APPLICABLE

Specified model meets or exceeds the following:

- ASME/ANSI A112.19.2M
- ASME/ANSI A112.19.6M
- Energy Policy Act of 1992 (EPACT)
- IAPMO/UPC
- States of Massachusetts, New York, & Texas
- City of Los Angeles, CA

### COLORS/FINISHES

- 0 White
- Other Refer to Fixtures Price Book for additional colors

#### Accessories:

- CP Polished Chrome
- PB Polished Brass
- Other Refer to Price Book for additional colors

### SPECIFIED MODEL:

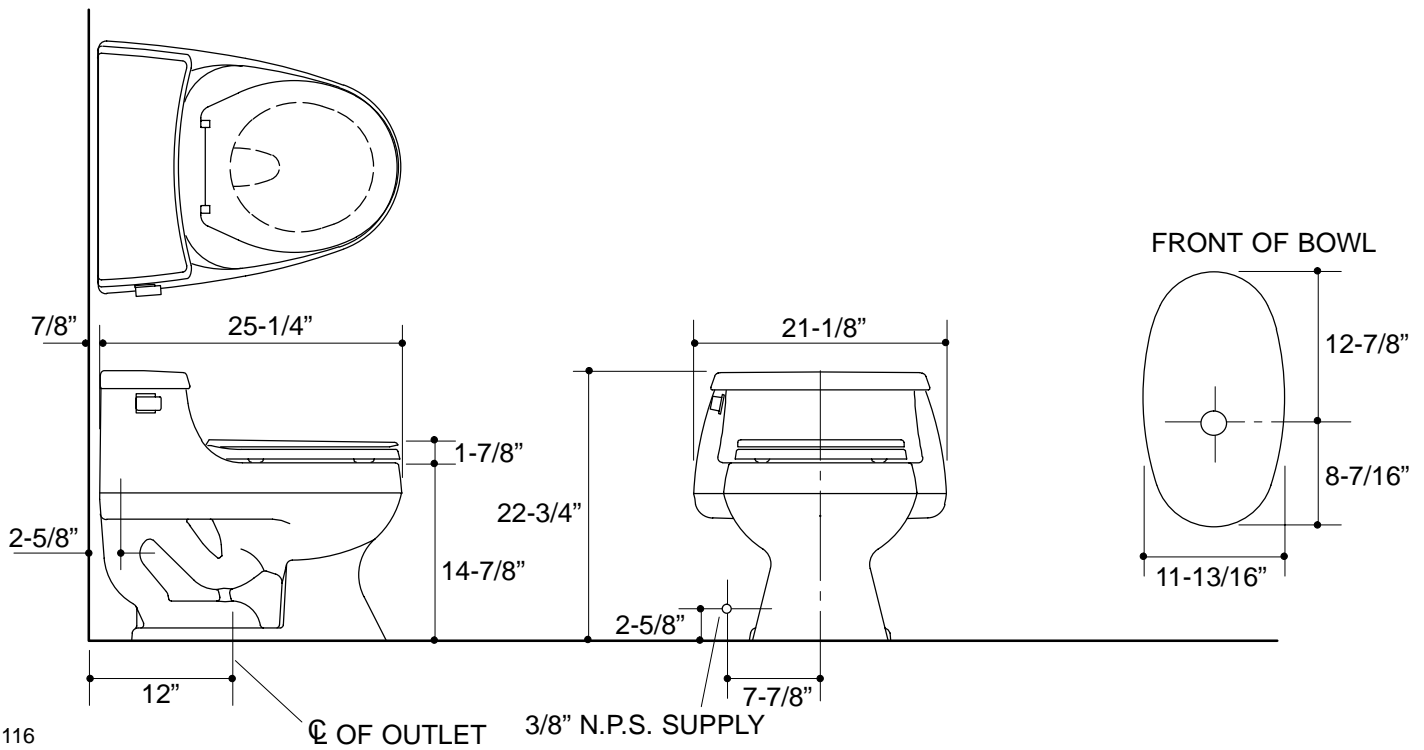
Model	Description	Colors/Finishes		
K-3386	Round front bowl toilet	<input type="checkbox"/> 0 White	<input type="checkbox"/> Other_____	
<b>Recommended Accessories</b>				
K-7637	Angle supply with stop	<input type="checkbox"/> CP	<input type="checkbox"/> PB	<input type="checkbox"/> Other_____
<b>Optional Accessories</b>				
K-9430	Trip lever (non-CP)	<input type="checkbox"/> PB	<input type="checkbox"/> Other_____	

### PRODUCT SPECIFICATION:

The round front one-piece toilet shall be quiet flush with 12" rough-in. Toilet shall be made of vitreous china. Toilet shall have Kohler Gravity Lite™ system. Toilet shall have dual overflow system. Toilet shall have EPDM flapper. Toilet shall have brass supply shank. Toilet shall include Lustra™ seat. Toilet shall be less supply. Toilet shall be 1.6 gpf. Toilet shall include polished chrome metal trip lever. Toilet shall be Kohler Model K-3386-\_\_\_\_\_.

## PRODUCT INFORMATION

Fixture:	
Configuration	1-piece, round front
Gallons per flush	1.6 gallons
Passageway	2"
Water depth from rim	6-1/16"
Seat post hole centers	5-1/2"
Included Components:	
Seat	K-4662
Tank cover	84252
Trip lever	K-9430
Bolt cap accessory pack	52048
Tank accessory pack	84301



## PRODUCT DIAGRAM