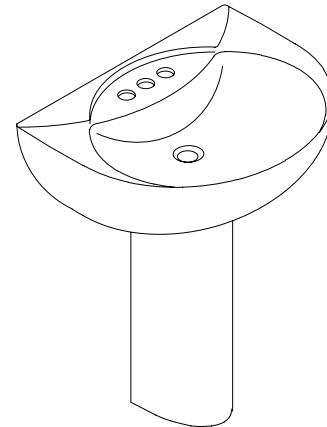


FEATURES

- 24-1/8" x 19" x 33-7/8"
- Vitreous china
- Pedestal lavatory
- 8" centers (K-2017-8), 4" centers (K-2017-4) or single-hole (K-2017-1) drilling



CODES/STANDARDS APPLICABLE

Specified model meets or exceeds the following:

- ASME/ANSI A112.19.2M
- IAPMO/UPC
- Canadian Standards Association (CSA)
- State of Massachusetts

COLORS/FINISHES

- 0 White
- Other Refer to Fixtures Price Book for additional colors

Accessories:

- CP Polished Chrome
- Other Refer to Faucets Price Book for additional finishes

SPECIFIED MODEL:

Model	Description	Colors/Finishes	
K-2017-8	8" centers lavatory	<input type="checkbox"/> 0 White	<input type="checkbox"/> Other_____
K-2017-4	4" centers lavatory	<input type="checkbox"/> 0 White	<input type="checkbox"/> Other_____
K-2017-1	Single-hole lavatory	<input type="checkbox"/> 0 White	<input type="checkbox"/> Other_____

Recommended Accessories			
K-7605-P	Lavatory supplies 3/8" (pair)	<input type="checkbox"/> CP	<input type="checkbox"/> Other_____

PRODUCT SPECIFICATION:

The pedestal lavatory shall be 24-1/8" in length, 19" in width, and 33-7/8" in height. Pedestal lavatory shall be made of vitreous china. Pedestal lavatory shall have 8" centers (K-2017-8), 4" centers (K-2017-4), or single-hole (K-2017-1) drilling. Pedestal lavatory shall be Kohler Model K-2017-_____-_____.

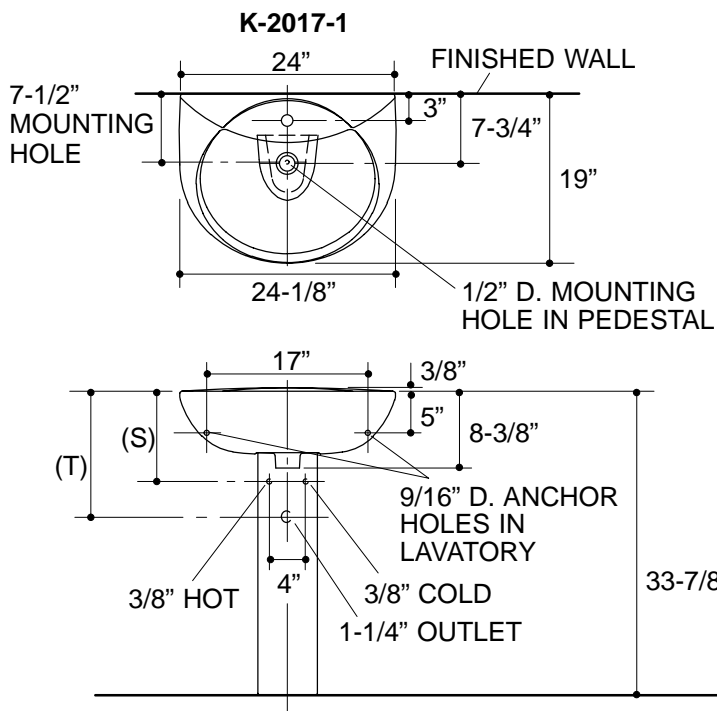
FOLIO

PRODUCT INFORMATION

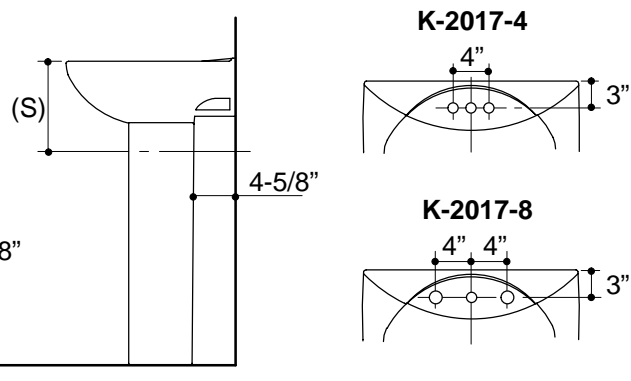
Fixture*:		basin area	water depth
Lavatory		19" x 12"	4-1/2"
Outlet	1-3/4" D.		
* Approximate measurements for comparison only.			

Holes	K-2017-1	K-2017-4	K-2017-8
Spout	1-3/8" D.	1-3/16" D.	1-3/16" D.
Faucet		1-3/16" D.	1-7/16" D.

Included Components:	
Lavatory basin, single-hole	K-2018-1
Lavatory basin, 4" centers	K-2018-4
Lavatory basin, 8" centers	K-2018-8
Pedestal	K-2019
Rubber pads	63069
Lavatory accessory pack	52204



Roughing-In Notes		
Fixture dimensions are nominal and conform to tolerances in ASME Standard A112.19.2M.		
(T) Pop-up drain 14", drain 13-1/8"		
Supply (Based on 12" riser which may require cutting).	K-2017-1, K-2017-4	K-2017-8
(S)	10"	14"



.75<116

PRODUCT DIAGRAM