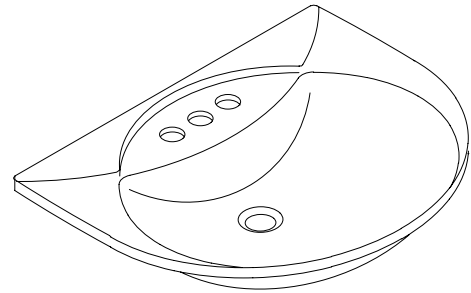


FEATURES

- 22-1/8" x 17-3/8"
- Vitreous china
- Self-rimming
- 8" centers (K-2009-8), 4" centers (K-2009-4) or single-hole (K-2009-1) drilling
- ADA compliant
- With overflow
- With sealant



CODES/STANDARDS APPLICABLE

Specified model meets or exceeds the following:

- ADA
- ASME/ANSI A112.19.2M
- CABO/ANSI A117.1
- IAPMO/UPC
- Canadian Standards Association (CSA)
- State of Massachusetts

COLORS/FINISHES

- 0 White
- Other Refer to Fixtures Price Book for additional colors

Accessories:

- CP Polished Chrome
- Other Refer to Faucets Price Book for additional finishes

SPECIFIED MODEL:

| Model | Description | Colors/Finishes | |
|----------|----------------------|----------------------------------|-------------------------------------|
| K-2009-8 | 8" centers lavatory | <input type="checkbox"/> 0 White | <input type="checkbox"/> Other_____ |
| K-2009-4 | 4" centers lavatory | <input type="checkbox"/> 0 White | <input type="checkbox"/> Other_____ |
| K-2009-1 | Single-hole lavatory | <input type="checkbox"/> 0 White | <input type="checkbox"/> Other_____ |

| Recommended Accessories | | | |
|-------------------------|------|-----------------------------|-------------------------------------|
| K-8998 | Trap | <input type="checkbox"/> CP | <input type="checkbox"/> Other_____ |

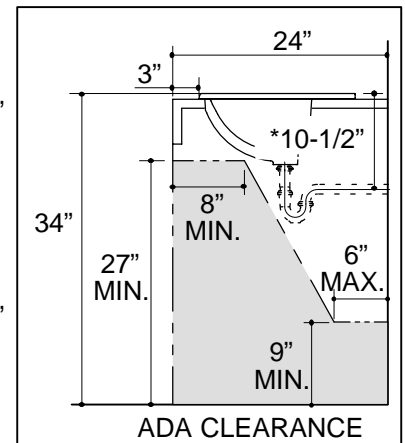
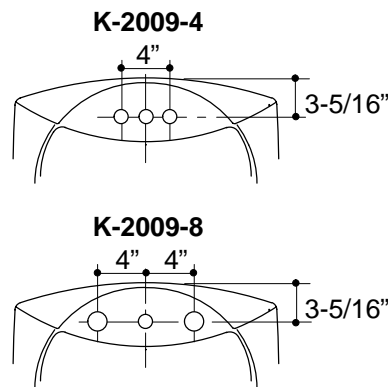
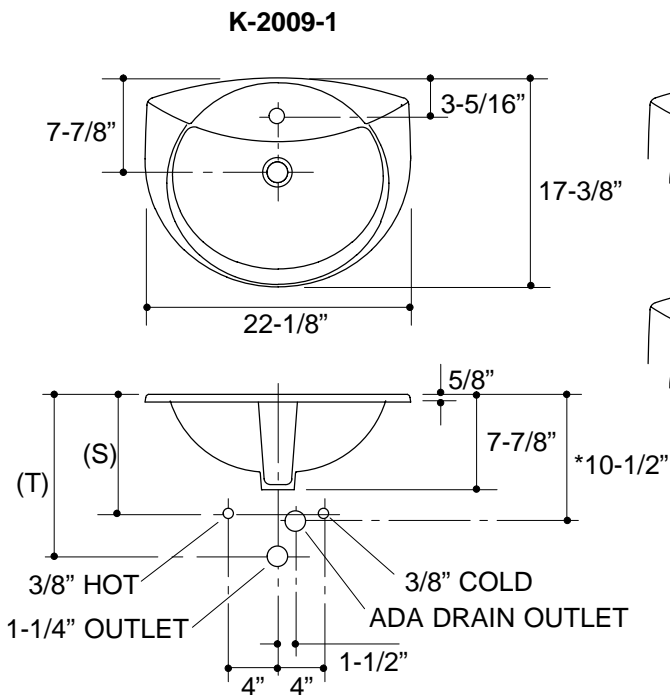
PRODUCT SPECIFICATION:

The self-rimming lavatory shall be 22-1/8" in length, and 17-3/8" in width. Lavatory shall be made of vitreous china. Lavatory shall have 8" centers (K-2009-8), 4" centers (K-2009-4), or single-hole (K-2009-1) drilling. Lavatory shall have overflow. Lavatory shall be ADA compliant. Lavatory shall include sealant. Lavatory shall be Kohler Model K-2009-_____-_____.

FOLIO

PRODUCT INFORMATION

| | | | |
|---|-----------------|-----------------|-----------------|
| ADA compliant. | | | |
| Fixture*: | | basin area | water depth |
| Lavatory | | 17" x 11" | 4-1/8" |
| Outlet | 1-11/16" D. | | |
| * Approximate measurements for comparison only. | | | |
| Holes | K-2009-1 | K-2009-4 | K-2009-8 |
| Spout | 1-3/8" D. | 1-3/16" D. | 1-3/16" D. |
| Faucet | | 1-3/16" D. | 1-3/8" D. |
| Included Components: | | | |
| Adhesive sealant | | | 63034 |
| Cutout template | | | 114518-7 |



Roughing-In Notes

*Based on K-8998 with 1" of tailpiece exposed.

(T) Pop-up drain 13-1/2", grid drain 12-5/8"

| | | |
|--|-----------------------|----------|
| Supply (Based on 12" riser which may require cutting). | K-2009-1, K-2009-4 | K-2009-8 |
| (S) | 10" | 14" |

PRODUCT DIAGRAM