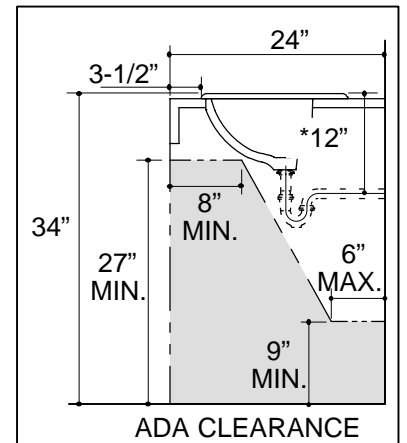
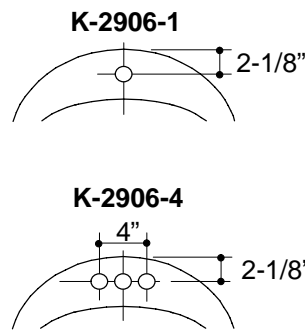
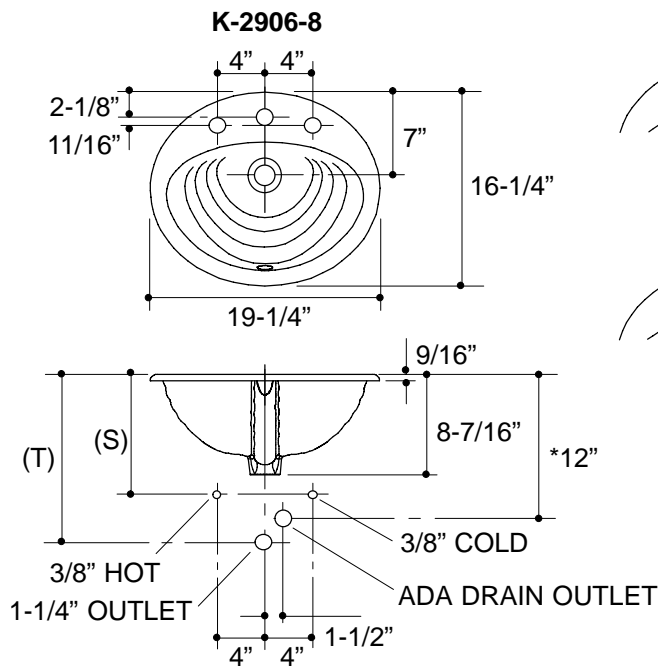


**Ordering Information**

Applicable product:		
8" centers lavatory	K-2906-8	shown
4" centers lavatory	K-2906-4	not shown
Single-hole lavatory	K-2906-1	not shown
Accessories/hardware		
Trap	K-8998	recommended

**Product Information**

ADA compliant.			
Fixture*:		basin area	water depth
Lavatory		16" x 11"	4-7/8"
Outlet	1-11/16" D.		
* Approximate measurements for comparison only.			
Holes	<b>K-2906-1</b>	<b>K-2906-4</b>	<b>K-2906-8</b>
Spout	1-3/8" D.	1-1/8" D.	1-1/8" D.
Faucet		1-3/16" D.	1-3/8" D.
Included Components:			
Overflow ferrule (1)			44071
Cutout template			114534-7



<b>Roughing-In Notes</b>		
Fixture dimensions are nominal and conform to tolerances in ASME/ANSI Standard A112.19.1M.		
*Based on K-8998 with 1" of tailpiece exposed.		
(T) Pop-up drain 14-1/16", grid drain 13-3/16"		
Supply (Based on 12" riser which may require cutting).	K-2906-1, K-2906-4	K-2906-8
(S)	10"	14"