

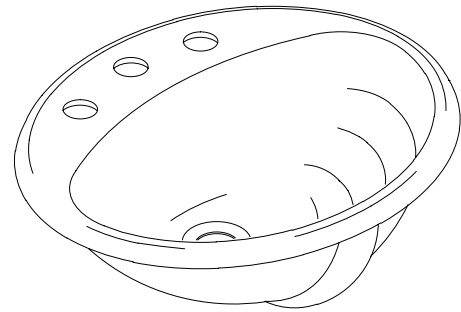
### SELF-RIMMING LAVATORY

# K-2906

ADA

#### FEATURES

- 19-1/4" x 16-1/4"
- Cast iron
- Self-rimming
- 4" centers (K-2906-4), 8" centers (K-2906-8), single-hole (K-2906-1) drilling
- ADA compliant



#### CODES/STANDARDS APPLICABLE

Specified model meets or exceeds the following:

- ADA
- ASME/ANSI A112.19.1M
- CABO/ANSI A117.1
- IAPMO/UPC
- Canadian Standards Association (CSA)
- State of Massachusetts

#### COLORS/FINISHES

- 0 White
- Other Refer to Fixtures Price Book for additional colors

#### Accessories:

- CP Polished Chrome
- Other Refer to Faucets Price Book for additional finishes

#### SPECIFIED MODEL:

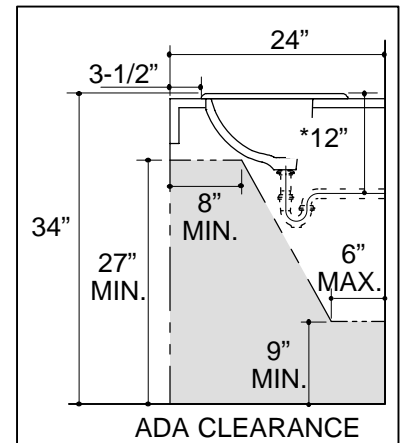
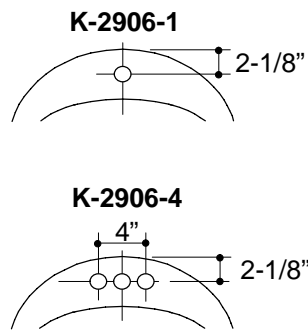
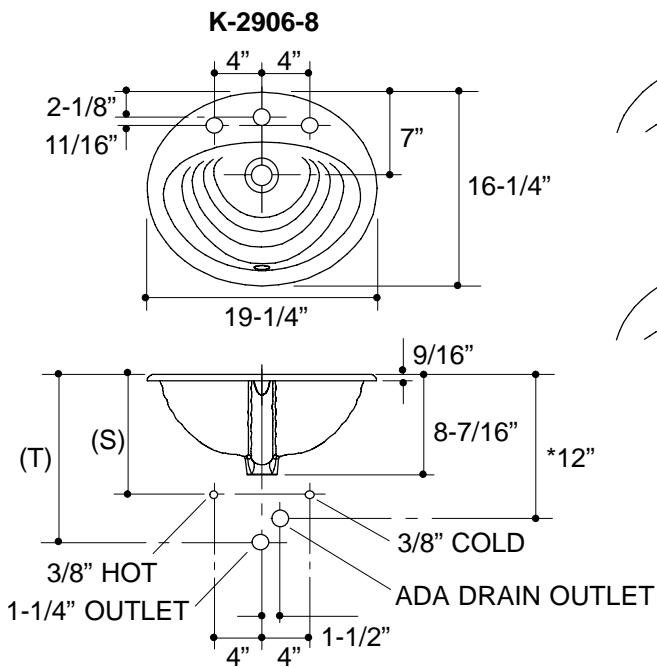
Model	Description	Colors/Finishes	
		<input type="checkbox"/> 0 White	<input type="checkbox"/> Other_____
K-2906-8	8" centers lavatory	<input type="checkbox"/> 0 White	<input type="checkbox"/> Other_____
K-2906-4	4" centers lavatory	<input type="checkbox"/> 0 White	<input type="checkbox"/> Other_____
K-2906-1	Single-hole lavatory	<input type="checkbox"/> 0 White	<input type="checkbox"/> Other_____
Recommended Accessories			
K-8998	Trap	<input type="checkbox"/> CP	<input type="checkbox"/> Other_____

#### PRODUCT SPECIFICATION:

The high design self-rimming lavatory shall be 19-1/4" in length, and 16-1/4" in width. Lavatory shall be made of cast iron. Lavatory shall have 4" centers (K-2906-4), 8" centers (K-2906-8), or single-hole (K-2906-1) drilling. Lavatory shall be ADA compliant. Lavatory shall be Kohler Model K-2906-\_\_\_\_\_-\_\_\_\_\_.

## PRODUCT INFORMATION

ADA compliant.			
Fixture*:		basin area	water depth
Lavatory		16" x 11"	4-7/8"
Outlet	1-11/16" D.		
* Approximate measurements for comparison only.			
Holes	<b>K-2906-1</b>	<b>K-2906-4</b>	<b>K-2906-8</b>
Spout	1-3/8" D.	1-1/8" D.	1-1/8" D.
Faucet		1-3/16" D.	1-3/8" D.
Included Components:			
Overflow ferrule (1)			44071
Cutout template			114534-7



### Roughing-In Notes

\*Based on K-8998 with 1" of tailpiece exposed.

(T) Pop-up drain 14-1/16", grid drain 13-3/16"

Supply (Based on 12" riser which may require cutting).	K-2906-1, K-2906-4	K-2906-8
(S)	10"	14"

## PRODUCT DIAGRAM