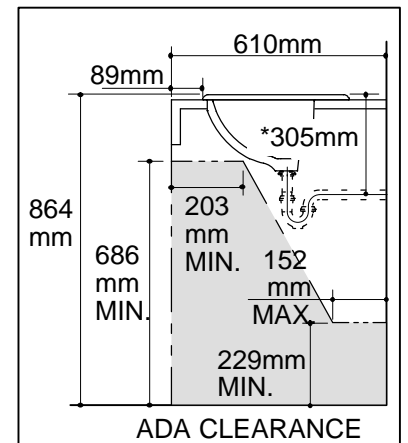
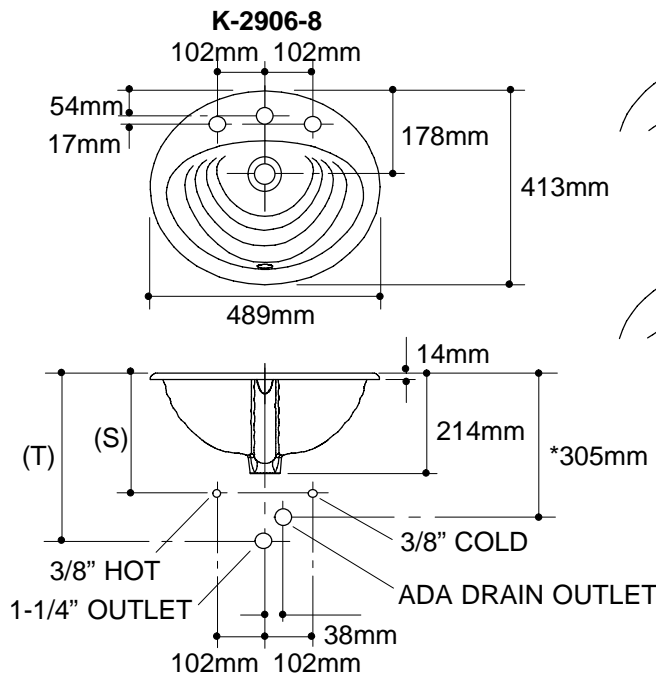


Ordering Information

Applicable product:		
203mm centers lavatory	K-2906-8	shown
102mm centers lavatory	K-2906-4	not shown
Single-hole lavatory	K-2906-1	not shown
Accessories/hardware		
Trap	K-8998	recommended

Product Information

ADA compliant.			
Fixture*:		basin area	water depth
Lavatory		406 x 279mm	124mm
Outlet	Ø43mm		
* Approximate measurements for comparison only.			
Holes	K-2906-1	K-2906-4	K-2906-8
Spout	Ø35mm	Ø29mm	Ø29mm
Faucet		Ø30mm	Ø35mm
Included Components:			
Overflow ferrule (1)			44071
Cutout template			114534-7



Roughing-In Notes		
Fixture dimensions are nominal and conform to tolerances in ASME/ANSI Standard A112.19.1M.		
*Based on K-8998 with 25mm of tailpiece exposed.		
(T) Pop-up drain 357mm, grid drain 335mm.		
Supply (Based on 305mm riser which may require cutting).	K-2906-1, K-2906-4	K-2906-8
(S)	10"	14"