

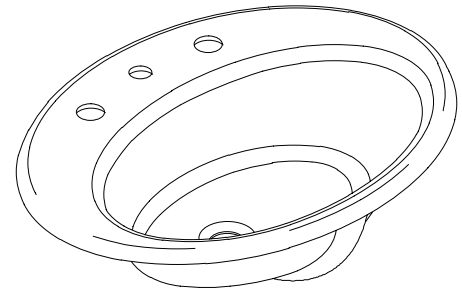
SELF-RIMMING LAVATORY

K-2907

ADA

FEATURES

- 24" x 18"
- Cast iron
- Self-rimming
- 4" centers (K-2907-4), 8" centers (K-2907-8), single-hole (K-2907-1) drilling
- ADA compliant



CODES/STANDARDS APPLICABLE

Specified model meets or exceeds the following:

- ADA
- ASME/ANSI A112.19.1M
- CABO/ANSI A117.1
- IAPMO/UPC
- Canadian Standards Association (CSA)
- State of Massachusetts

COLORS/FINISHES

- 0 White
- Other Refer to Fixtures Price Book for additional colors

Accessories:

- CP Polished Chrome
- Other Refer to Faucets Price Book for additional finishes

SPECIFIED MODEL:

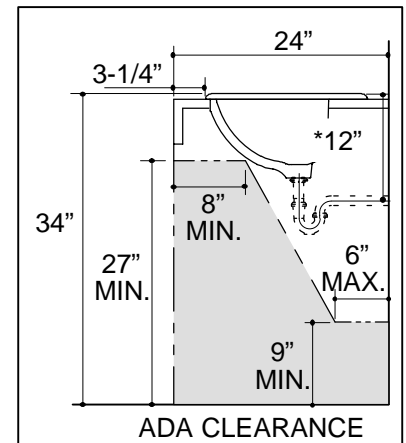
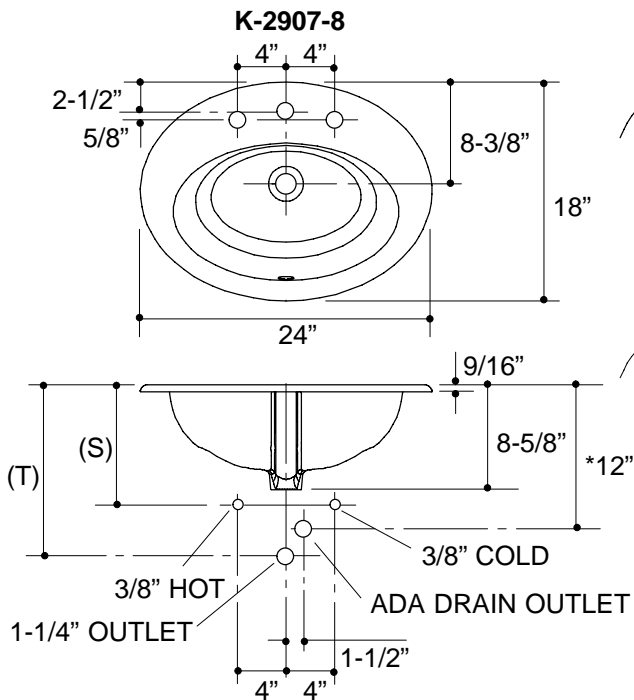
Model	Description	Colors/Finishes	
		<input type="checkbox"/> 0 White	<input type="checkbox"/> Other _____
K-2907-8	8" centers lavatory	<input type="checkbox"/> 0 White	<input type="checkbox"/> Other _____
K-2907-4	4" centers lavatory	<input type="checkbox"/> 0 White	<input type="checkbox"/> Other _____
K-2907-1	Single-hole lavatory	<input type="checkbox"/> 0 White	<input type="checkbox"/> Other _____
Recommended Accessories			
K-8998	Trap	<input type="checkbox"/> CP	<input type="checkbox"/> Other _____

PRODUCT SPECIFICATION:

The oval self-rimming lavatory shall be 24" in length, and 18" in width. Lavatory shall be made of cast iron. Lavatory shall have 8" centers (K-2907-8), 4" centers (K-2907-4), or single-hole (K-2907-1) drilling. Lavatory shall be ADA compliant. Lavatory shall be Kohler Model K-2907-_____-_____.

PRODUCT INFORMATION

ADA compliant.			
Fixture*:		basin area	water depth
Lavatory		19" x 11"	4-3/4"
Outlet	1-11/16" D.		
* Approximate measurements for comparison only.			
Holes	K-2907-1	K-2907-4	K-2907-8
Spout	1-3/8" D.	1-1/8" D.	1-1/8" D.
Faucet		1-3/16" D.	1-3/8" D.
Included Components:			
Overflow ferrule (1)			44071
Cutout template			114535-7



Roughing-In Notes

*Based on K-8998 with 1" of tailpiece exposed.

(T) Pop-up drain 14-1/4", grid drain 13-3/8"

Supply (Based on 12" riser which may require cutting).	K-2907-1, K-2907-4	K-2907-8
--	-----------------------	----------

(S)	10"	14"
-----	-----	-----

PRODUCT DIAGRAM