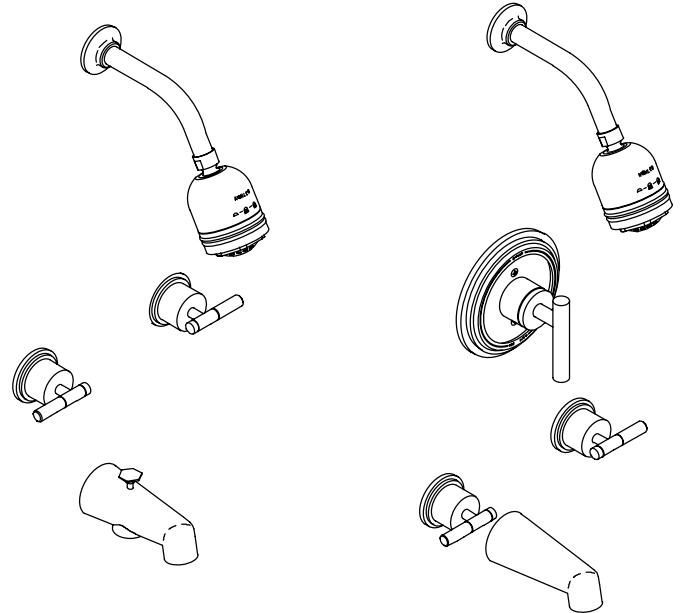


FEATURES

- Brass construction
- Intended for 8- or 10-jet BodySpa installations
- MasterShower™ three-way showerhead
- Rite-Temp pressure-balancing diaphragm design valve (K-1099)
- High-temperature limit stop (K-1099)
- Pressure-balancing mechanism of one-piece diaphragm cartridge design for ease of maintenance (K-1099)
- Mixing valve cycles from “cold” to “hot” (K-1099)
- Lever handles
- Brass valve bodies
- 1/2” quarter-turn washerless ceramic disc valves
- 4-7/8” diverter or non-diverter spout with N.P.T. connection



K-1098

K-1099

CODES/STANDARDS APPLICABLE

Specified model meets or exceeds the following:

- ASME/ANSI A112.18.1M
- ASSE/ANSI 1016 (K-1099)
- IAPMO/UPC

COLORS/FINISHES

- CP Polished Chrome
- PB Polished Brass

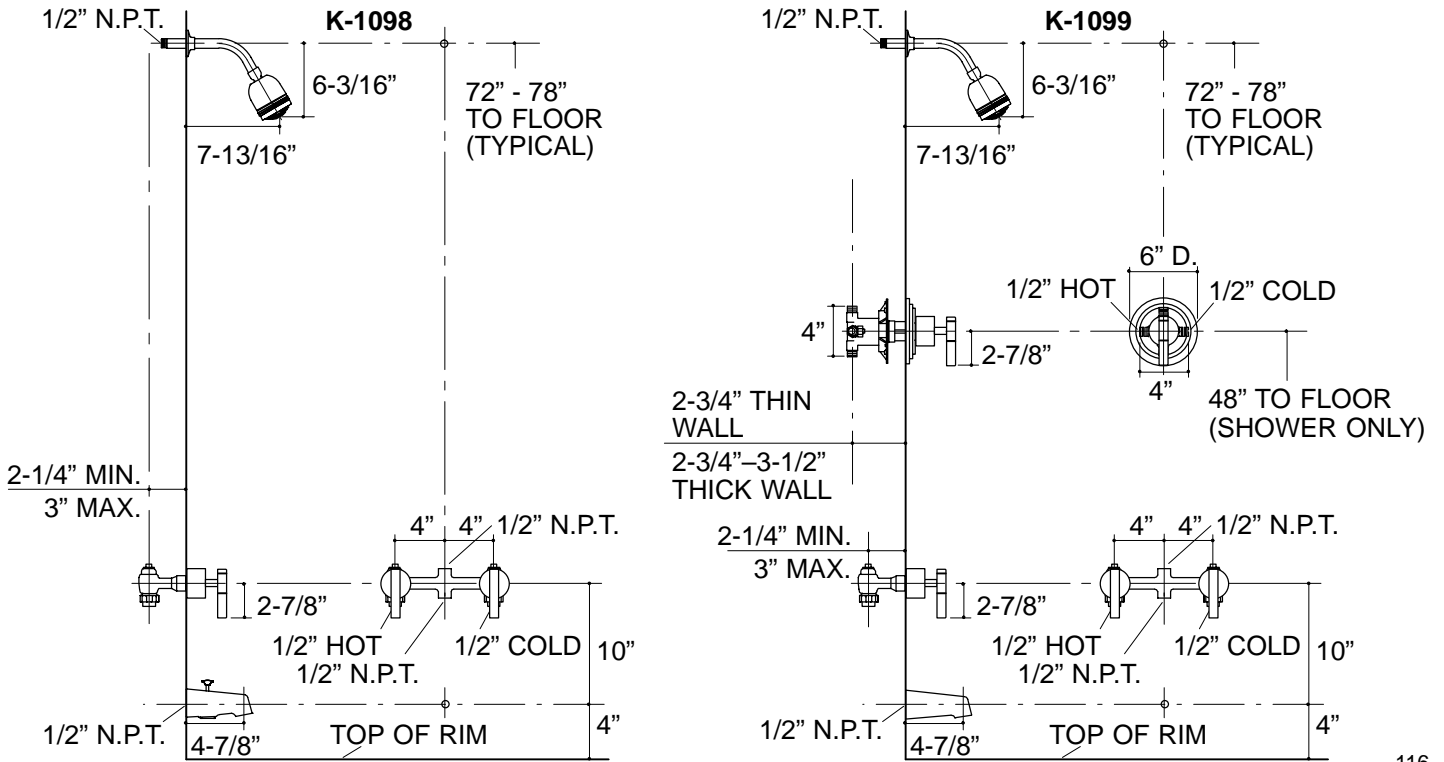
SPECIFIED MODEL:

| Model | Description | | |
|--------|---|-----------------------------|-----------------------------|
| K-1098 | Less Rite-Temp Valve; With Diverter Spout | <input type="checkbox"/> CP | <input type="checkbox"/> PB |
| K-1099 | With Rite-Temp Valve; With Non-Diverter Spout | <input type="checkbox"/> CP | <input type="checkbox"/> PB |

PRODUCT SPECIFICATION:

Wall-mount bath and shower faucet shall be of brass construction. K-1098 with two-handle valving shall feature 1/2” quarter-turn washerless ceramic disc valves. K-1099 shall feature two-handle and Rite-Temp valving. Product is intended for 8- or 10-jet BodySpa System installations. Product shall include MasterShower three-way showerhead with arm and flange, faceplate and/or two-handle valves with lever handles. Optional features shall be with or without Rite-Temp valve, and diverter or non-diverter spout with N.P.T. connection. Faucet shall be Kohler Model K-_____-_____-_____.

TABORET® BODYSPA



116

PRODUCT DIAGRAM