

Ordering Information

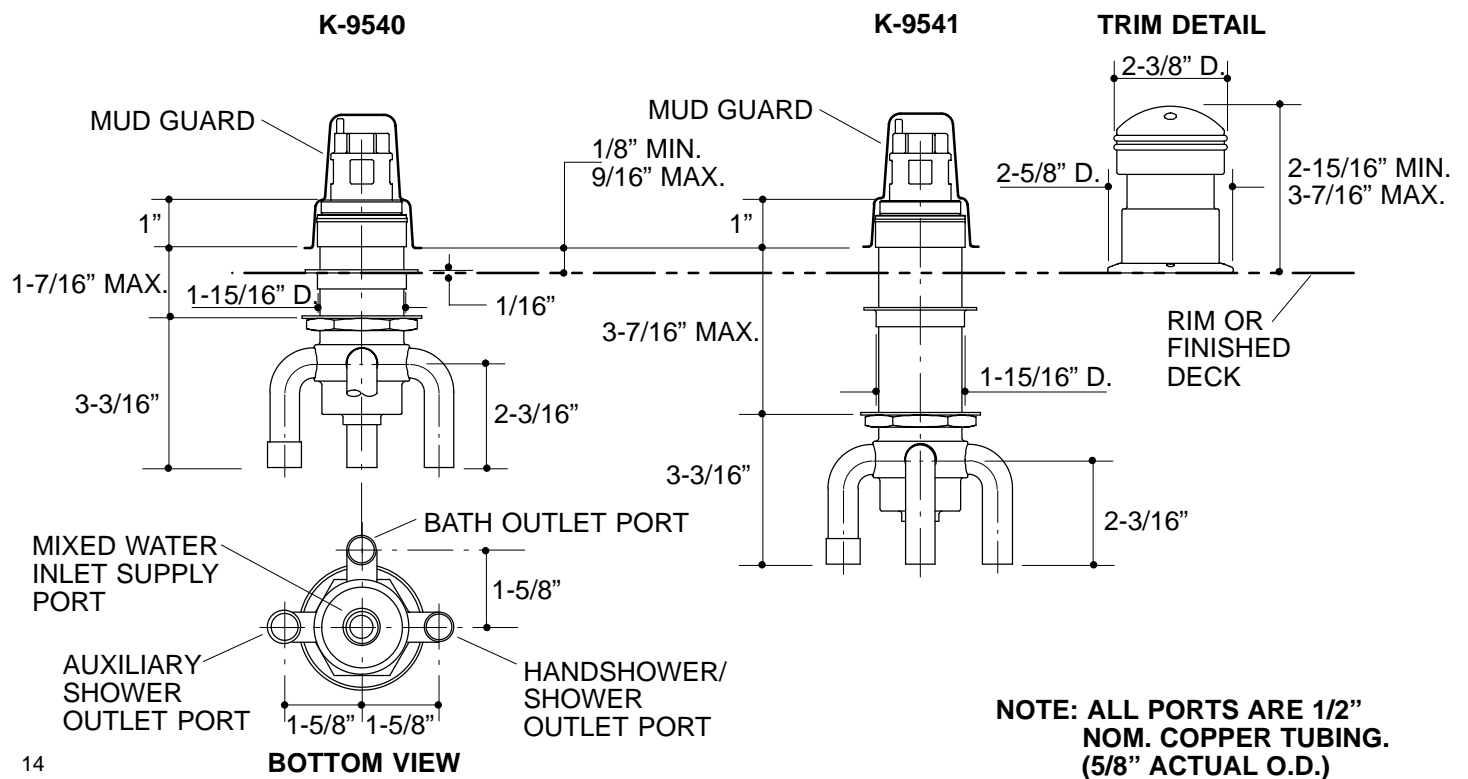
Applicable transfer valve:		
Rim mount	K-9540	shown
Deck mount	K-9541	shown

Installation Notes

Bath and handshower outlets required for two-way transfer valve.

Bath, handshower, and auxiliary outlets required for three-way transfer valve.

When used as a two-way transfer valve (bath and handshower), the installer must cap the auxiliary outlet. Do not install spouts with flow restrictors or shower units on the bath outlet.



14

K-9540, K-9541 Transfer Valve/Vacuum Breaker
114557-1-BA (A)

KOHLER®

NOTES: