

Ordering Information

Applicable product:		
Three-hole sink	K-5961-3	shown
Accessories/hardware:		
Metal frame	K-6592	recommended

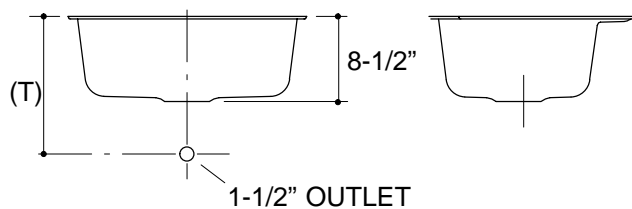
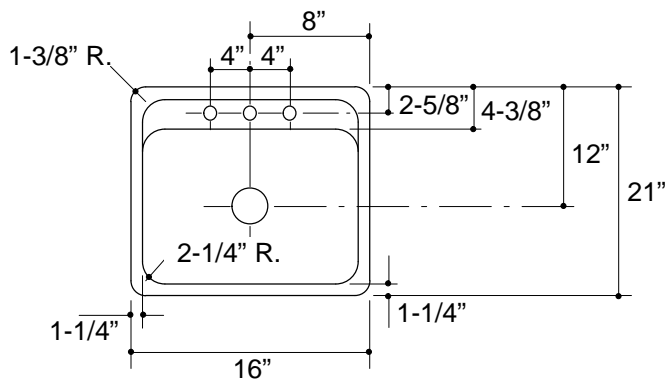
Product Information

Fixture*:		basin area	water depth
Sink		15" x 14"	7-3/4"
Outlet	3-5/8" D.		
Faucet holes	1-3/8" D.		

* Approximate measurements for comparison only.

Installation Notes

Refer to installation instructions included with fixture before beginning installation.



Roughing-In Notes

Fixture dimensions are nominal and conform to tolerances in ASME/ANSI Standard A112.19.1M.

(T) Drain typically 13-7/8".

Cutout	Metal frame required.
--------	-----------------------

1.25>116

K-5961 Mayfield™ Sink
114572-1-CA (A)

KOHLER[®]