

Ordering Information

Accessories/hardware:		
Bottom basin rack	K-3190	optional
Wire basket	K-3277	optional
Cutting board	K-3294	optional
Duostrainer® sink strainer	K-8801	optional
Stainless steel sink strainer	K-8813	optional
Stainless steel sink strainer	K-8814	optional

Product Information

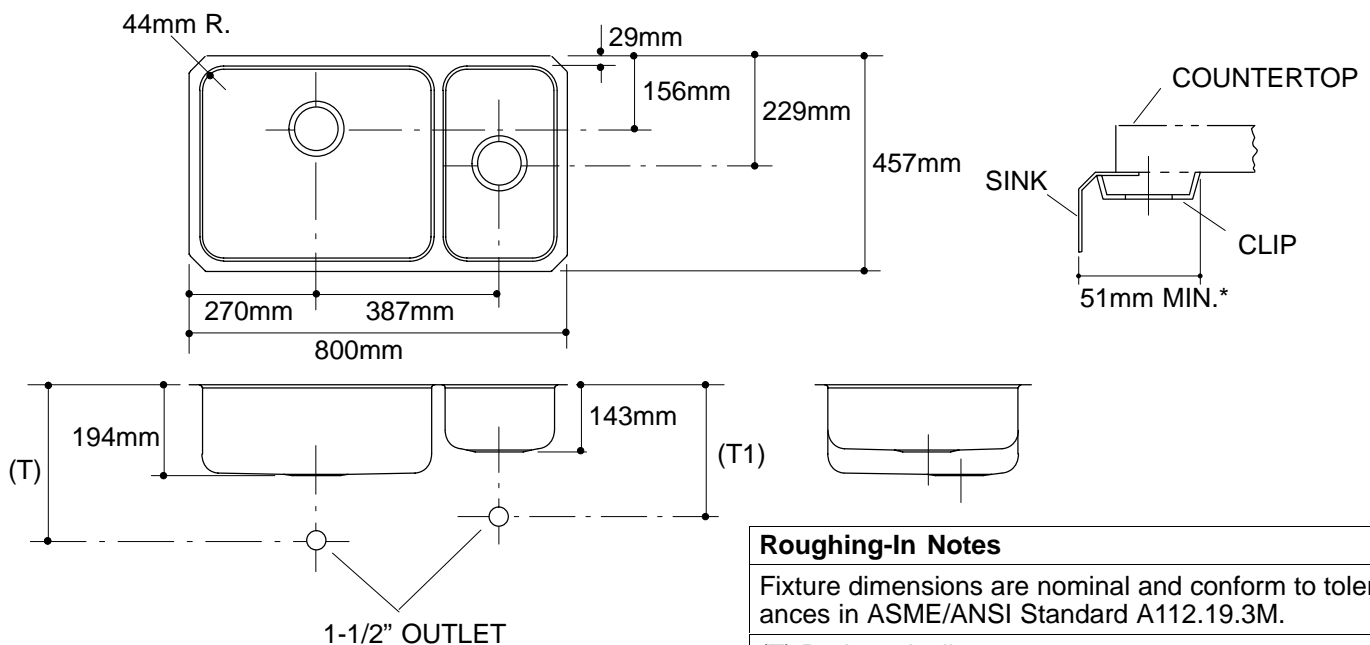
Fixture*:		basin area	water depth
Sink, left		483 x 406mm	191mm
Sink, right		229 x 406mm	140mm
Outlet	Ø92mm		

* Approximate measurements for comparison only.

Included Components:	
Hardware kit	91915
Cutout template	113808

Installation Notes

Refer to installation instructions included with fixture before beginning installation.



Roughing-In Notes

Fixture dimensions are nominal and conform to tolerances in ASME/ANSI Standard A112.19.3M.

(T) Drain typically 330mm.

(T1) Drain typically 279mm.

* Allow clearance around sink rim for clip attachment.