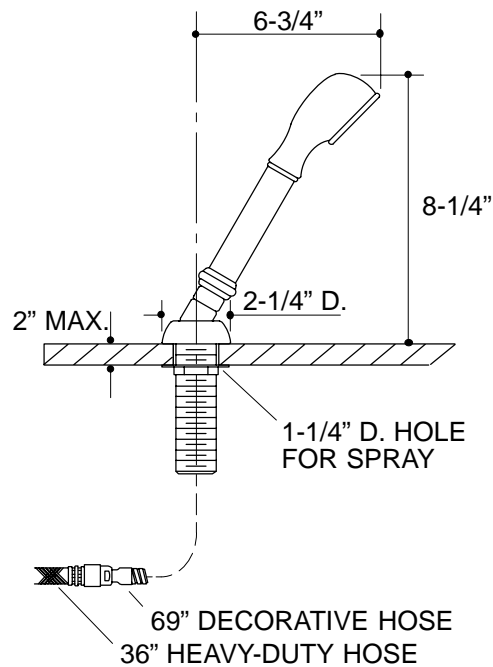


**Ordering Information**

|                     |        |
|---------------------|--------|
| Applicable product: |        |
| Personal handshower | K-6526 |



316

**K-6526** Traditional Personal Handshower  
114590-1-BA (9619)

**NOTES:**