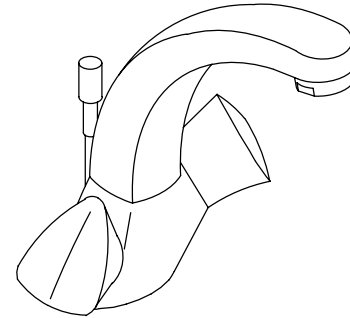


**LAVATORY FAUCET
K-14514-1**

FEATURES

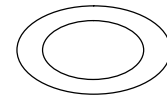
- Brass construction
- Single-hole mounting
- Brass valve bodies
- Quarter-turn washerless ceramic disc valves
- 5-1/2" swivel spout
- 2.0 gallons per minute
- Pop-up drain with lift rod and tailpiece
- Euro handles
- Optional escutcheon plate is available for 4" centerset installations



CODES/STANDARDS APPLICABLE

Specified model meets or exceeds the following:

- ASME/ANSI A112.18.1M
- Energy Policy Act of 1992
- NSF 61



COLORS/FINISHES

- CP Polished Chrome
- PB Polished Brass
- Other Refer to Faucets Price Book for additional finishes

SPECIFIED MODEL:

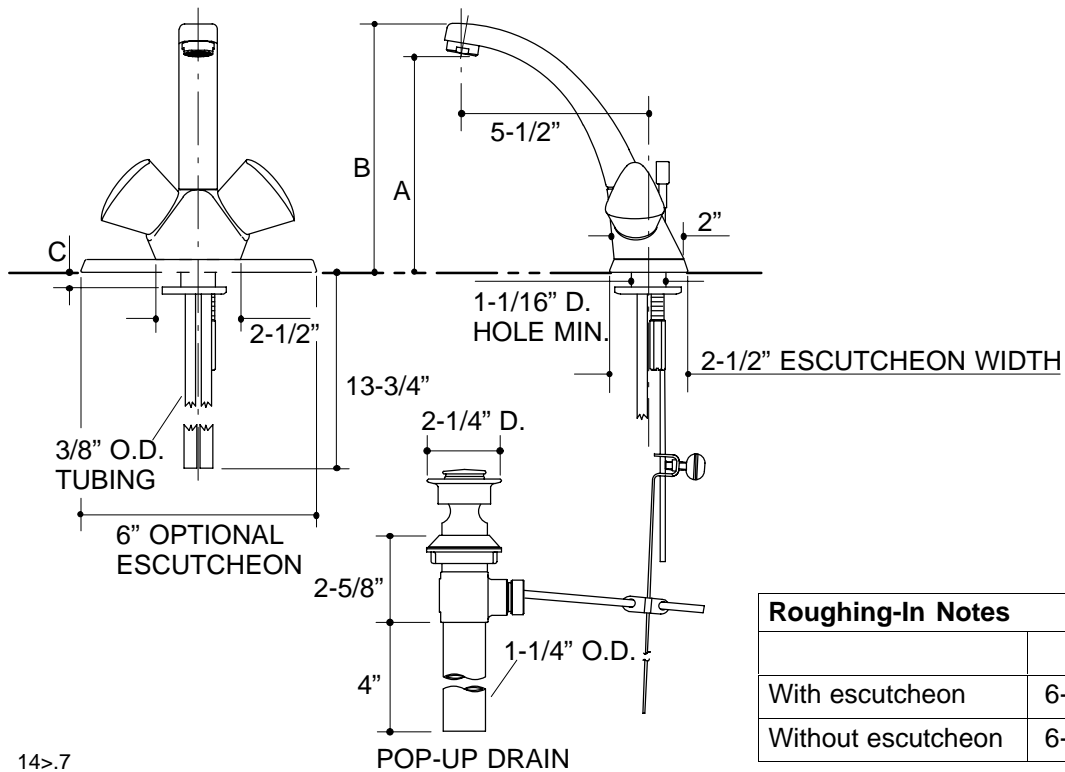
Model	Description	
K-14514-1	Provence Lavatory Faucet	<input type="checkbox"/> CP <input type="checkbox"/> PB <input type="checkbox"/> Other_____

Optional Accessory	
K-14531	6" Escutcheon Plate for 4" Centerset Installations
	<input type="checkbox"/> CP <input type="checkbox"/> PB <input type="checkbox"/> Other_____



PRODUCT SPECIFICATION:

Two-handle lavatory faucet shall be of brass construction. Faucet shall feature brass valve bodies. Faucet shall feature quarter-turn washerless ceramic disc valves, assuring positive handle stop positioning. Product shall include single-hole mounting, 5-1/2" swivel spout, pop-up drain with lift rod and tailpiece, and euro handles. Faucet shall be Kohler Model K-14514-1-_____.



Roughing-In Notes			
	A	B	C
With escutcheon	6-1/2"	7-3/8"	1-5/8" MAX.
Without escutcheon	6-1/8"	7"	2" MAX.

PRODUCT DIAGRAM