

**LAVATORY FAUCET  
K-16103**

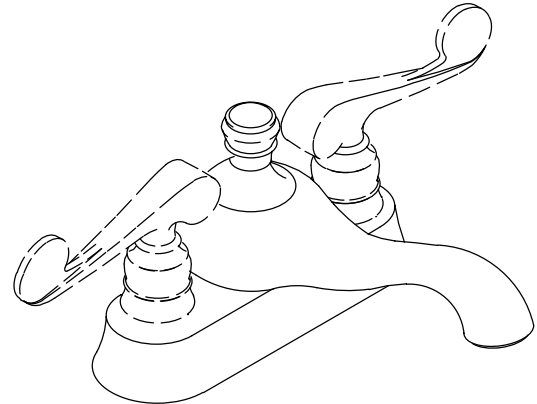
**FEATURES**

- Brass construction
- For 4" centers
- Brass valve bodies
- Quarter-turn washerless ceramic disc valves
- 5-1/4" spout
- Vandal-resistant aerator
- 2.0 gallons per minute
- Available with scroll or traditional handles

**CODES/STANDARDS APPLICABLE**

Specified model meets or exceeds the following:



- ASME/ANSI A112.18.1M
- CSA B125
- Energy Policy Act of 1992
- IAPMO/UPC
- NSF 61



**COLORS/FINISHES**

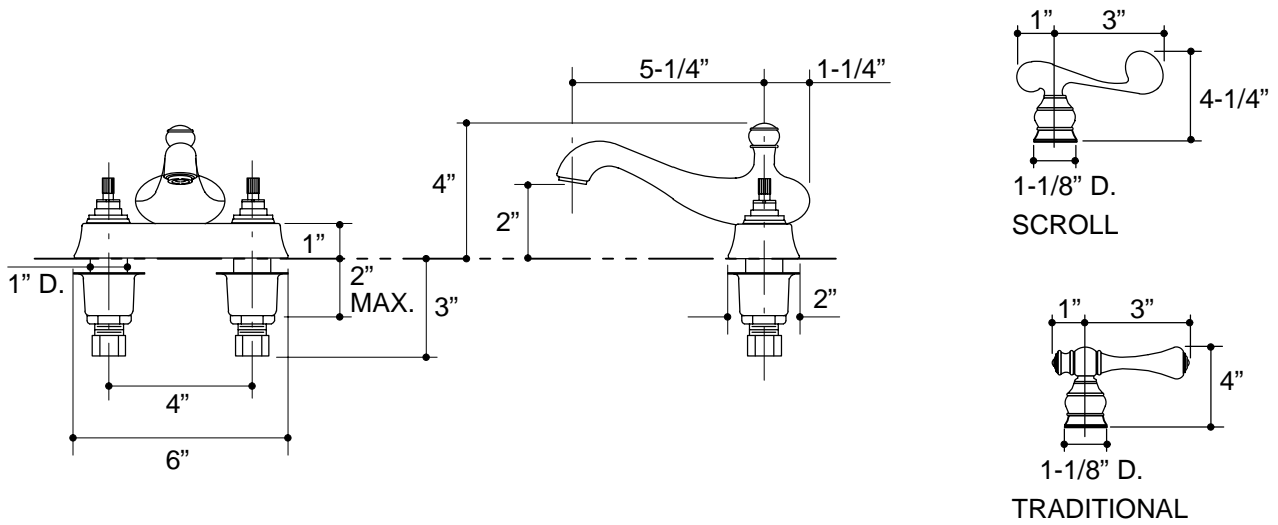
- CP Polished Chrome
- PB Polished Brass
- Other Refer to Faucets Price Book for additional finishes

**SPECIFIED MODEL:**

Model	Description	 ADA	 ADA
K-16103-4	With Scroll Handles	<input type="checkbox"/> CP <input type="checkbox"/> PB <input type="checkbox"/> Other_____	
K-16103-4A	With Traditional Handles		<input type="checkbox"/> CP <input type="checkbox"/> PB <input type="checkbox"/> Other_____

**PRODUCT SPECIFICATION:**

Two-handle centerset lavatory faucet shall be of brass construction. Faucet shall feature brass valve bodies. Faucet shall feature quarter-turn washerless ceramic disc valves, assuring positive handle stop positioning. Product shall be less drain. Product shall include 4" centers, 5-1/4" spout, vandal-resistant aerator, and scroll or traditional handles. Faucet shall be Kohler Model K-16103-\_\_\_\_\_-\_\_\_\_\_.



PRODUCT DIAGRAM