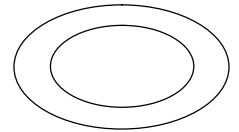
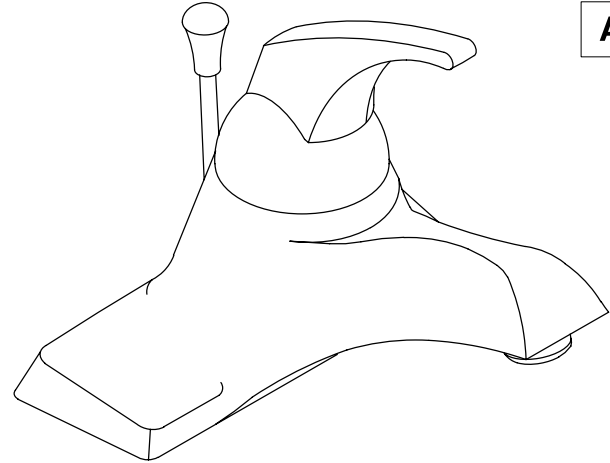


**LAVATORY FAUCET  
K-P15182  
PROJECT PACK**

**FEATURES**

- Metal construction
- For 4" centers
- One-piece self-contained valve cartridge allows both volume and temperature control
- Temperature memory allowing faucet to be turned on and off at any temperature setting
- 4-5/8" spout
- Metal throatplate
- 2.0 gallons per minute
- Pop-up drain with lift rod and tailpiece
- Lever handle
- Includes matching finish handle cap
- Optional ground joint connections, 16" long supply tubes, and plastic drain
- Packaged six per case

ADA



**CODES/STANDARDS APPLICABLE**

Specified model meets or exceeds the following:

- ASME/ANSI A112.18.1M
- California Energy Commission
- Canadian Standards Association (CSA)
- Energy Policy Act of 1992
- IAPMO/UPC
- NSF 14

**COLORS/FINISHES**

- CP Polished Chrome
- PB Polished Brass

**SPECIFIED MODEL:**

Model	Description	<input type="checkbox"/> CP	<input type="checkbox"/> PB
K-P15182	Coralais Single-Control Centerset Lavatory Faucet; With Drain	<input type="checkbox"/> CP	<input type="checkbox"/> PB
K-P15182-L	With 16" Long Supply Tubes; With Drain	<input type="checkbox"/> CP	
K-P15182-P	With Ground Joint Connections; With Drain	<input type="checkbox"/> CP	<input type="checkbox"/> PB
K-P15182-D	With Plastic Drain	<input type="checkbox"/> CP	
K-P15182-LD	With 16" Long Supply Tubes; With Plastic Drain	<input type="checkbox"/> CP	
K-P15182-PD	With Ground Joint Connections; With Plastic Drain	<input type="checkbox"/> CP	<input type="checkbox"/> PB

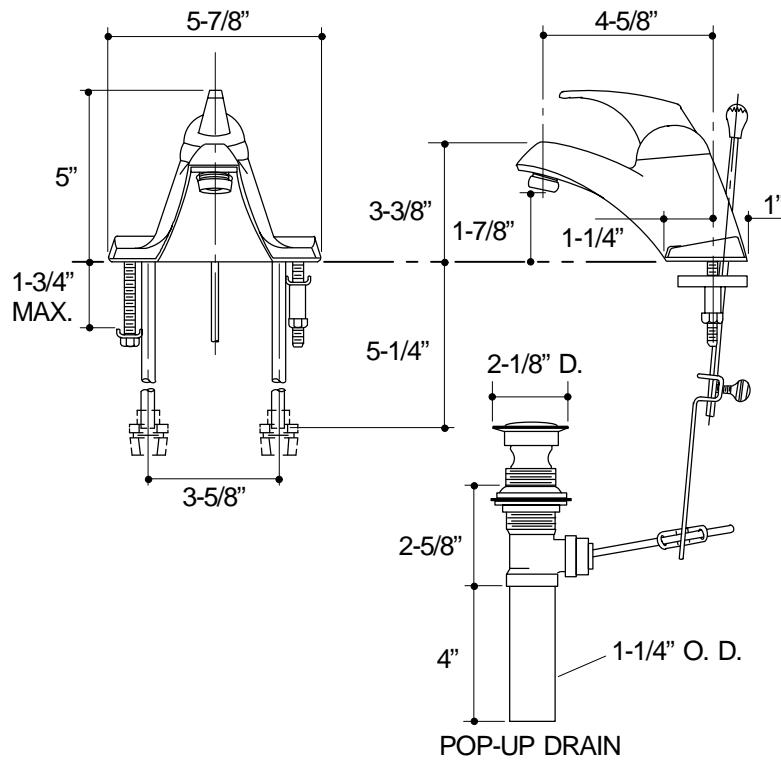
Optional Accessories on Page 2.

**PRODUCT SPECIFICATION:**

Single-control centerset lavatory faucet shall be of metal construction. The valve shall be a one-piece, self-contained valve cartridge, and allows both volume and temperature control. The valve shall feature temperature memory, allowing the faucet to be turned on and off at any temperature setting. Product shall include 4" centers, 4-5/8" spout, pop-up drain with lift rod and tailpiece, lever handle, and matching finish handle cap. Optional features shall be ground joint connections, 16" long supply tubes, and plastic drain. Faucet shall be Kohler Model K-P15182-\_\_\_\_-\_\_\_\_. Project Pack faucets are packaged six per case.

# CORALAIS™

<b>Optional Accessory</b>				
K-15180-A	Lever Handle Color Cap, Single	<input type="checkbox"/> CP	<input type="checkbox"/> PB	<input type="checkbox"/> Other_____



## PRODUCT DIAGRAM