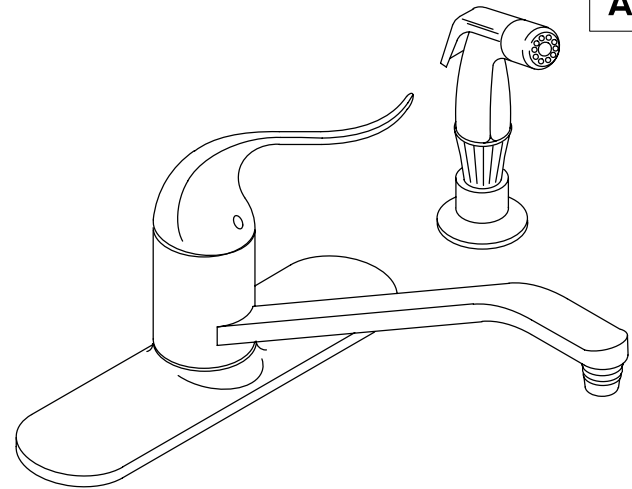


**KITCHEN SINK FAUCET  
K-P15172  
PROJECT PACK**

**ADA**

**FEATURES**

- Metal construction
- One-piece self-contained ceramic disc valve allows both volume and temperature control
- Temperature memory allowing faucet to be turned on and off at any temperature setting
- High-temperature limit stop
- Available with an 8-1/2", 10", or 12" swing spout
- 2.2 gallons per minute
- Lever handle
- Handspray
- Optional ground joint connections and 16" long supply tubes
- Packaged six per case



**CODES/STANDARDS APPLICABLE**

Specified model meets or exceeds the following:

- ASME/ANSI A112.18.1M
- CSA B125
- Energy Policy Act of 1992
- IAPMO/UPC
- NSF 61


**COLORS/FINISHES**

- CP Polished Chrome

**SPECIFIED MODEL:**

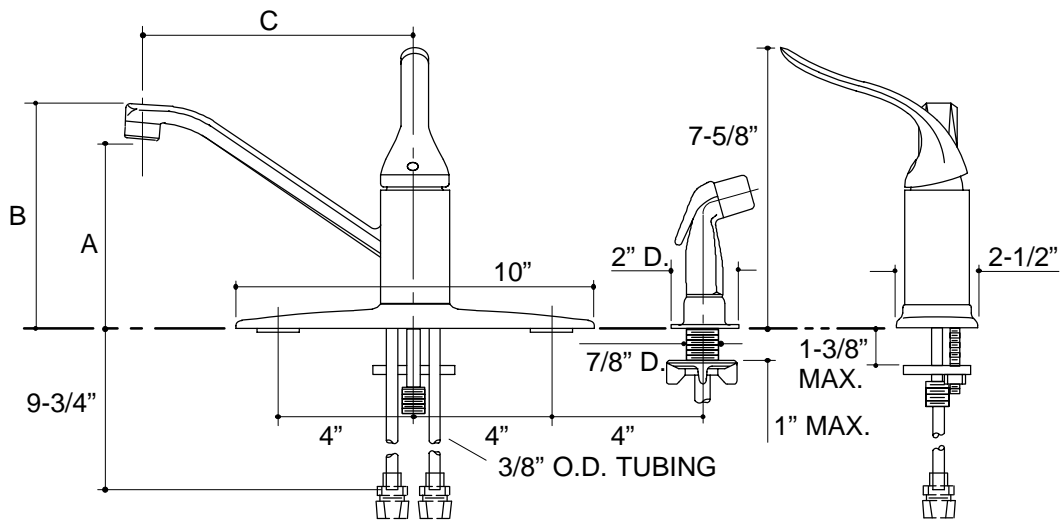
Model	Description	
K-P15172	With 8-1/2" Swing Spout	<input type="checkbox"/> CP
K-P15172-P	With 8-1/2" Swing Spout and Ground Joint Connections	<input type="checkbox"/> CP
K-P15172-PG	With 12" Swing Spout and Ground Joint Connections	<input type="checkbox"/> CP
K-P15172-LT	With 10" Swing Spout and 16" Supply Tubes	<input type="checkbox"/> CP

NOTE: All faucets, except white and polished brass, come with black handspray and matching finish trim ring. White and polished brass faucets come with white handspray.

Optional Accessory		
K-15179-A	12" Swing Spout and Aerator	<input type="checkbox"/> CP

**PRODUCT SPECIFICATION:**

Single-control kitchen sink faucet shall be of metal construction. The valve shall be a one-piece, self-contained ceramic disc valve, and allows both volume and temperature control. The valve shall feature temperature memory, allowing the faucet to be turned on and off at any temperature setting. Product shall include 8-1/2", 10", or 12" swing spout, lever handle, and handspray. Optional features shall be ground joint connections or 16" supply tubes. Faucet shall be Kohler Model K-P15172-\_\_\_\_\_-CP. Project Pack faucets are packaged six per case.



### Roughing-In Notes

	A	B	C
K-P15172/72-P	5"	6-1/8"	8-1/2"
K-P15172-PG	6-1/8"	7-1/4"	12"

## PRODUCT DIAGRAM