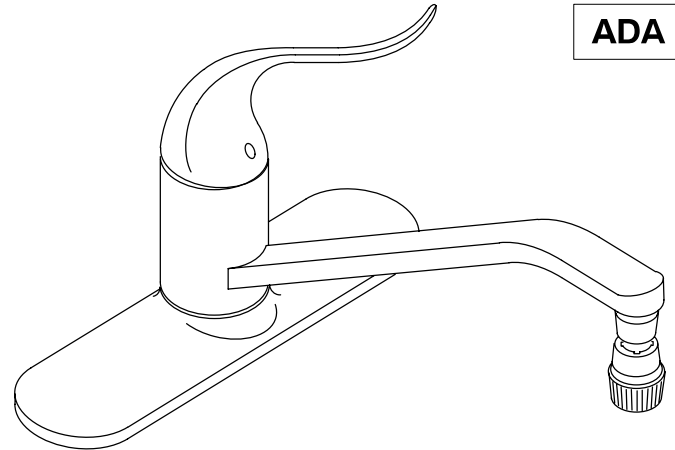


**KITCHEN SINK FAUCET
K-P15174-P
PROJECT PACK**

FEATURES

- Metal construction
- One-piece self-contained ceramic disc valve allows both volume and temperature control
- Temperature memory allowing faucet to be turned on and off at any temperature setting
- High-temperature limit stop
- 8-1/2" swing spout
- 2.5 gallons per minute
- Lever handle
- Black Swinger sprayer/aerator
- Ground joint connections
- Packaged six per case

ADA



CODES/STANDARDS APPLICABLE


Specified model meets or exceeds the following:

- ASME/ANSI A112.18.1M
- Canadian Standards Association (CSA)
- Energy Policy Act of 1992
- IAPMO/UPC
- NSF 14

COLORS/FINISHES

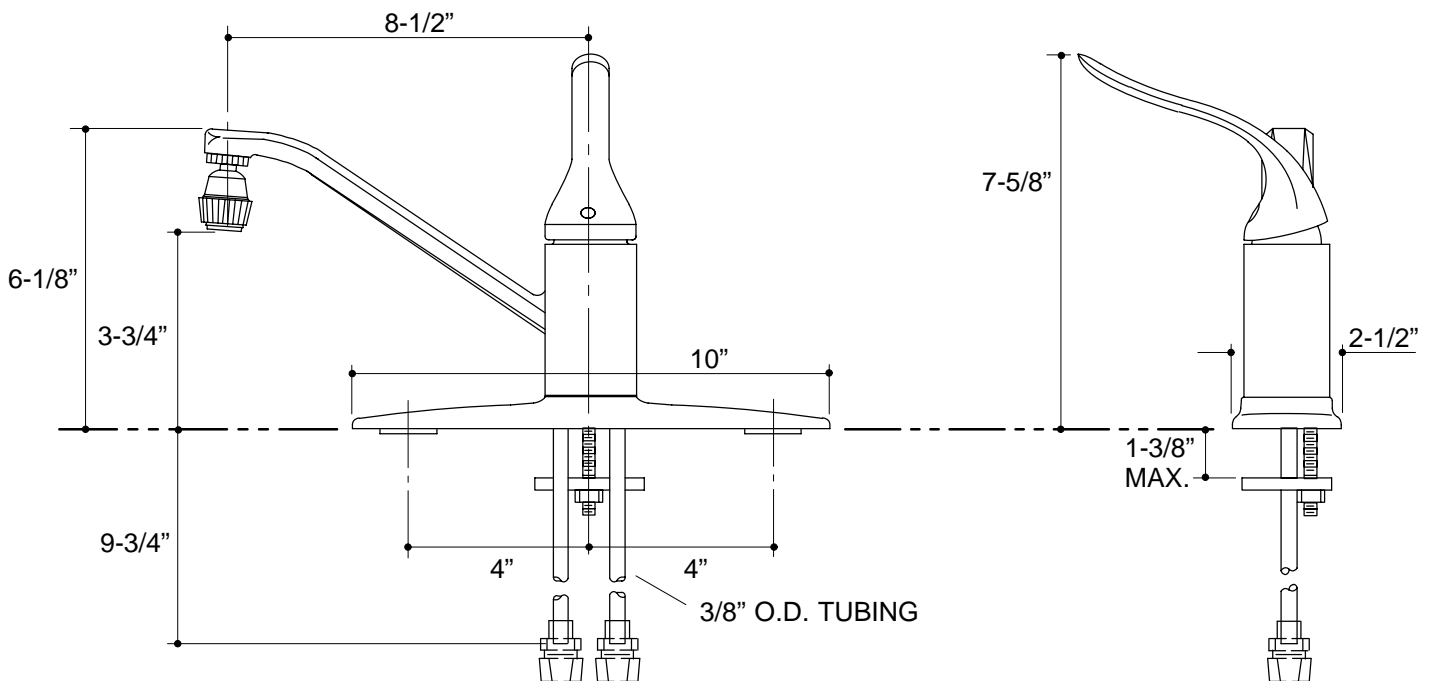
- CP Polished Chrome

SPECIFIED MODEL:

Model	Description	
K-P15174-P	Coralais Kitchen Sink Faucet	<input type="checkbox"/> CP
Optional Accessory		
K-15179-A	12" Swing Spout and Aerator	<input type="checkbox"/> CP

PRODUCT SPECIFICATION:

Single-control kitchen sink faucet shall be of metal construction. The valve shall be a one-piece, self-contained ceramic disc valve, and allows both volume and temperature control. The valve shall feature temperature memory, allowing the faucet to be turned on and off at any temperature setting, and includes a high-temperature limit stop. Product shall include 8-1/2" swing spout, lever handle, black Swinger sprayer/aerator, and ground joint connections. Faucet shall be Kohler Model K-P15174-P-CP. Project Pack faucets are packaged six per case.



14

PRODUCT DIAGRAM