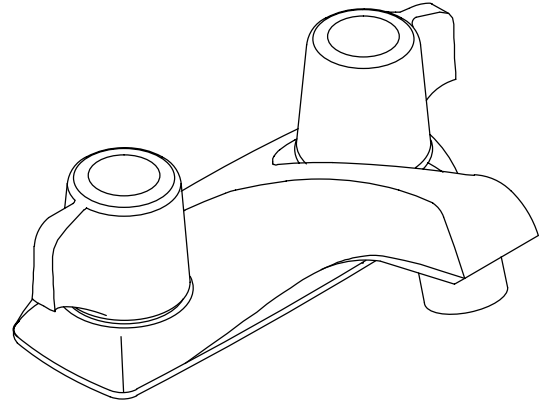


FEATURES

- Metal construction
- For 4" centers
- Reversible quarter-turn washerless ceramic disc valves
- 3-5/8" spout
- Metal throatplate
- 2.0 gallons per minute
- Blade handles
- Lift rod hole with plug
- Packaged six per case

ADA



CODES/STANDARDS APPLICABLE

Specified model meets or exceeds the following:

- ASME/ANSI A112.18.1M
- CSA B125
- Energy Policy Act of 1992
- IAPMO/UPC
- NSF 61

COLORS/FINISHES

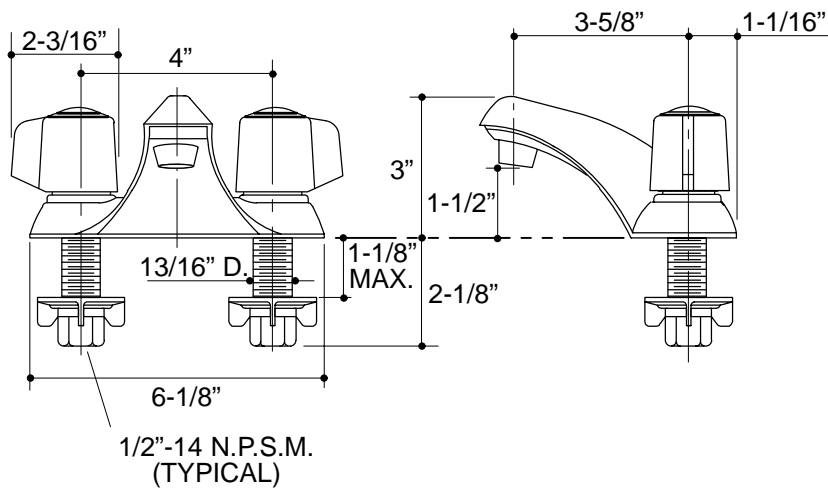
- CP Polished Chrome

SPECIFIED MODEL:

Model	Description	
K-P15240-B	Coralais Centerset Lavatory Faucet	<input type="checkbox"/> CP

PRODUCT SPECIFICATION:

Two-handle centerset lavatory faucet shall be of metal construction. Faucet shall feature reversible quarter-turn washerless ceramic disc valves, assuring positive handle stop positioning. Product shall be less drain. Product shall include 4" centers, 3-5/8" spout, lift rod hole with plug, and blade handles. Faucet shall be Kohler Model K-P15240-B-CP. Project Pack faucets are packaged six per case.



PRODUCT DIAGRAM