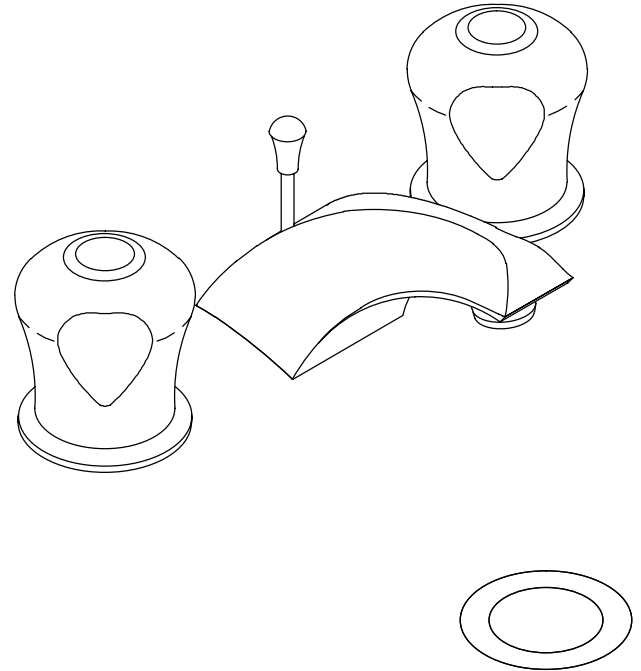


**LAVATORY FAUCET
K-P15261
PROJECT PACK**

FEATURES

- Metal construction
- Flexible connections
- Reversible quarter-turn washerless ceramic disc valves
- 3-3/4" spout
- Metal throatplate
- 2.0 gallons per minute
- Pop-up drain with lift rod and tailpiece
- Sculptured acrylic handles
- Optional ground joint connections and plastic drain
- Packaged six per case



CODES/STANDARDS APPLICABLE

Specified model meets or exceeds the following:

- ASME/ANSI A112.18.1M
- CSA B125
- Energy Policy Act of 1992
- IAPMO/UPC
- NSF 61

COLORS/FINISHES

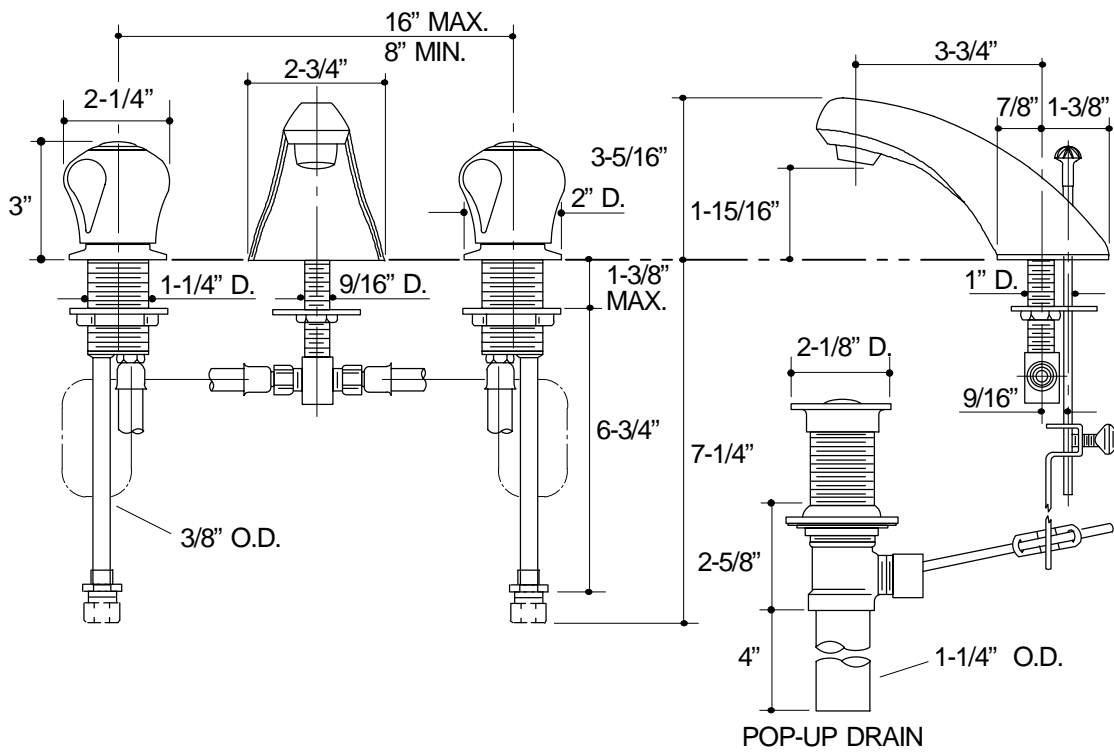
- CP Polished Chrome
- PB Polished Brass

SPECIFIED MODEL:

Model	Description		
K-P15261	Coralais Widespread Lavatory Faucet; With Drain	<input type="checkbox"/> CP	
K-P15261-P	With Ground Joint Connections; With Drain	<input type="checkbox"/> CP	<input type="checkbox"/> PB
K-P15261-D	With Plastic Drain	<input type="checkbox"/> CP	
K-P15261-PD	With Ground Joint Connections; With Plastic Drain	<input type="checkbox"/> CP	

PRODUCT SPECIFICATION:

Two-handle widespread lavatory faucet shall be of metal construction. Faucet shall feature reversible quarter-turn washerless ceramic disc valves, assuring positive handle stop positioning. Product shall include flexible connections, 3-3/4" spout, pop-up drain with lift rod and tailpiece, and sculptured acrylic handles. Optional features shall be ground joint connections and plastic drain. Faucet shall be Kohler Model K-P15261-____ - _____. Project Pack faucets are packaged six per case.



PRODUCT DIAGRAM