

**BATH AND SHOWER FAUCET  
K-16213**

**ALSO K-16214, K-16217**

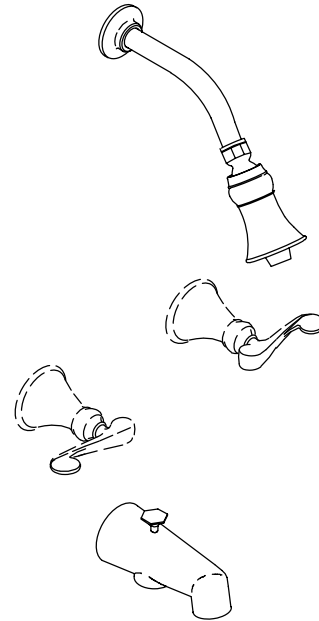
**FEATURES**

- Brass construction
- For 8" centers
- Brass valve bodies
- 1/2" quarter-turn washerless ceramic disc valves
- Available with scroll or traditional handles

**CODES/STANDARDS APPLICABLE**

Specified model meets or exceeds the following:



- ASME/ANSI A112.18.1M



**COLORS/FINISHES**

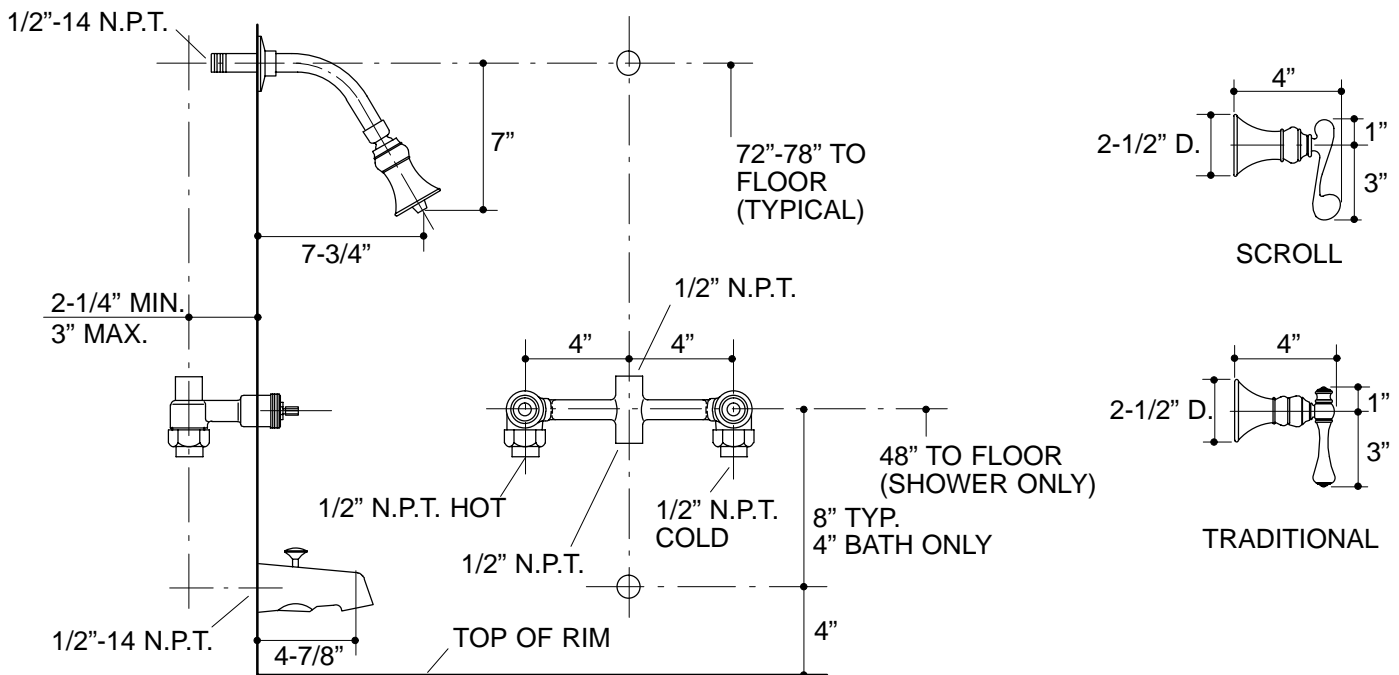
- CP Polished Chrome
- PB Polished Brass
- Other Refer to Faucets Price Book for additional finishes

**SPECIFIED MODEL:**

| Model      | Description                          |  <input type="checkbox"/> ADA |                             |                                     |  <input type="checkbox"/> ADA |                             |                                     |
|------------|--------------------------------------|---|-----------------------------|-------------------------------------|--|-----------------------------|-------------------------------------|
|            |                                      | <input type="checkbox"/> CP   | <input type="checkbox"/> PB | <input type="checkbox"/> Other_____ | <input type="checkbox"/> CP  | <input type="checkbox"/> PB | <input type="checkbox"/> Other_____ |
| K-16213-4  | Bath and Shower, Scroll Handles      | <input type="checkbox"/> CP   | <input type="checkbox"/> PB | <input type="checkbox"/> Other_____ |  |                             |                                     |
| K-16213-4A | Bath and Shower, Traditional Handles |   |                             |                                     | <input type="checkbox"/> CP  | <input type="checkbox"/> PB | <input type="checkbox"/> Other_____ |
| K-16214-4  | Shower Only, Scroll Handles          | <input type="checkbox"/> CP   | <input type="checkbox"/> PB | <input type="checkbox"/> Other_____ |  |                             |                                     |
| K-16214-4A | Shower Only, Traditional Handles     |   |                             |                                     | <input type="checkbox"/> CP  | <input type="checkbox"/> PB | <input type="checkbox"/> Other_____ |
| K-16217-4  | Valve Only, Scroll Handles           | <input type="checkbox"/> CP   | <input type="checkbox"/> PB | <input type="checkbox"/> Other_____ |  |                             |                                     |
| K-16217-4A | Valve Only, Traditional Handles      |   |                             |                                     | <input type="checkbox"/> CP  | <input type="checkbox"/> PB | <input type="checkbox"/> Other_____ |

**PRODUCT SPECIFICATION:**

Two-handle bath and shower faucet shall be of brass construction. Faucet shall feature brass valve bodies. Faucet shall feature 1/2" quarter-turn washerless ceramic disc valves, assuring positive handle stop positioning. Bath and shower faucet shall include showerhead with arm and flange, 4-7/8" diverter spout with N.P.T. connection, and handles. Shower only faucet shall include showerhead with arm and flange, and handles. Valve only faucet shall include handles. Faucet shall be Kohler Model K-\_\_\_\_\_-\_\_\_\_\_-\_\_\_\_\_.



14

**PRODUCT DIAGRAM**