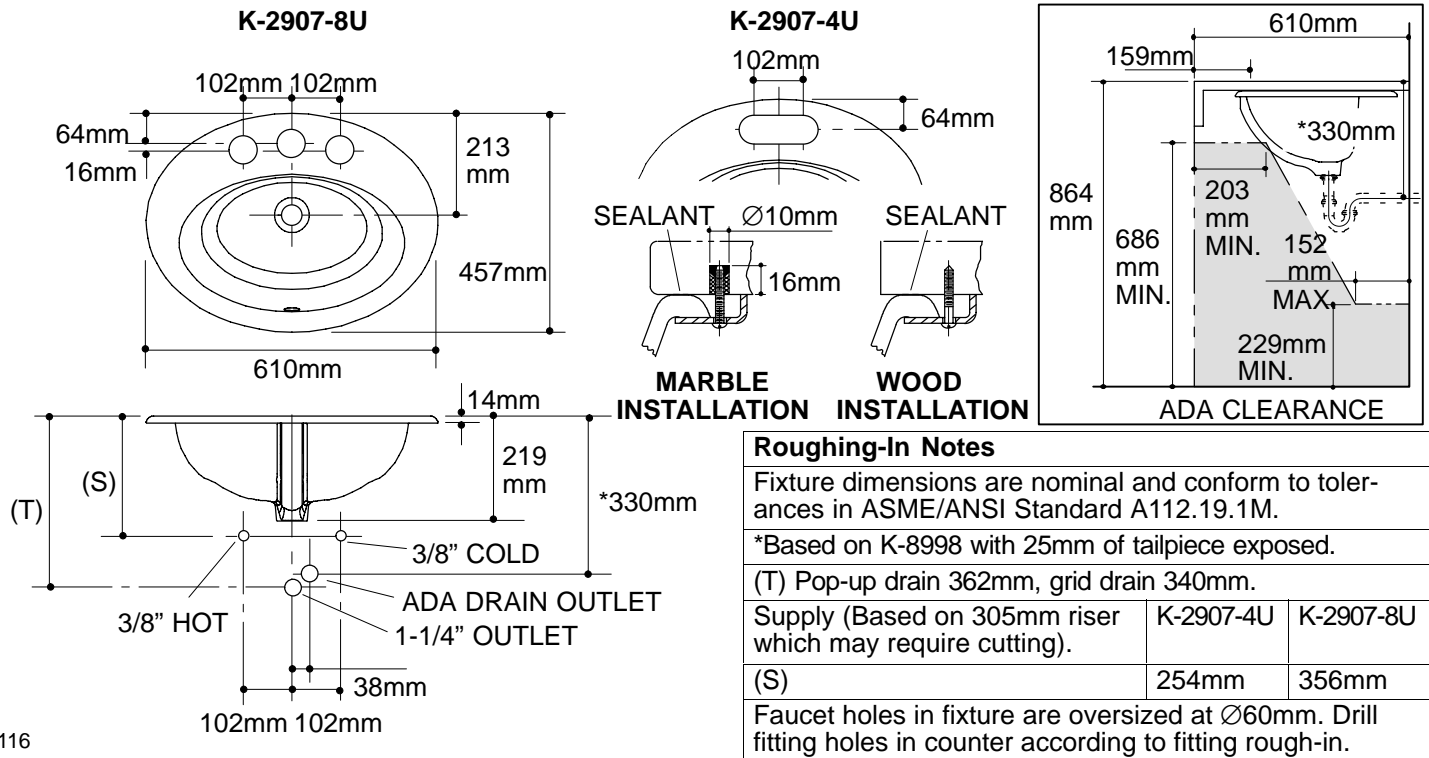


Ordering Information

Applicable product:		
203mm centers lavatory	K-2907-8U	shown
102mm centers lavatory	K-2907-4U	not shown
Accessories/hardware		
Trap	K-8998	recommended

Product Information

ADA compliant.			
Fixture*:		basin area	water depth
Lavatory		483 x 279mm	121mm
Outlet	Ø43mm		
* Approximate measurements for comparison only.			
Included Components:			
Basin clamp assembly			52047
Overflow ferrule			44071
Cutout template			114635-7



116