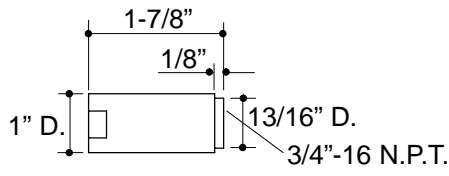
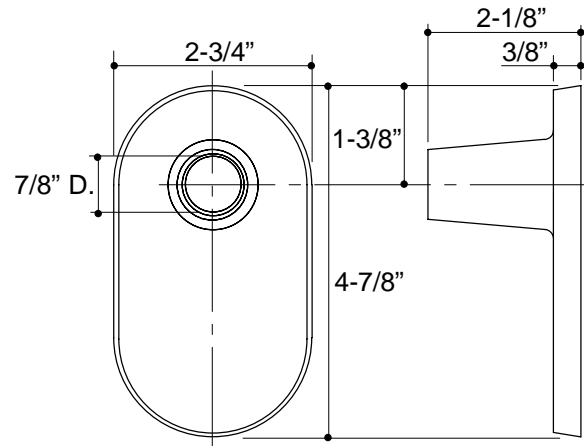


Ordering Information

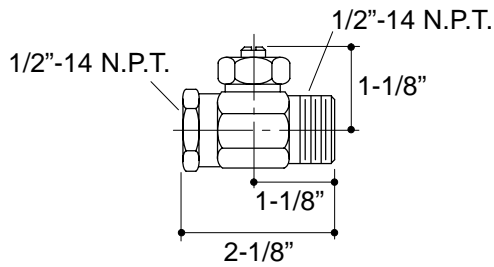
Applicable product:	
1/2" N.P.T. connection with bushings and escutcheons	75866



BUSHING



ESCUTCHEON



STOP