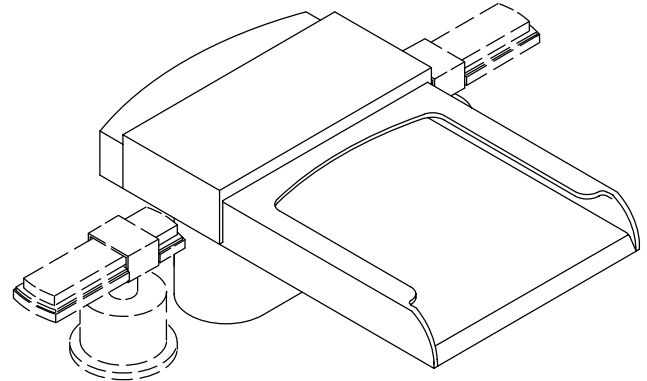


**BATH FAUCET
K-6506**

FEATURES

- Brass construction
- Deck-mount
- Brass valve bodies
- 3/4" quarter-turn washerless ceramic disc valves
- High-flow valving
- 8-1/2" Flume™ non-diverter spout with slip-fit connection
- Available with square or lever handles
- Includes matching brushed metal handle insets



CODES/STANDARDS APPLICABLE

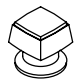
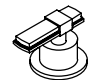
Specified model meets or exceeds the following:


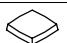
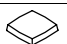

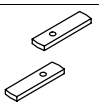
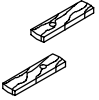
- ASME/ANSI A112.18.1M

COLORS/FINISHES

- CP Polished Chrome
- PB Polished Brass

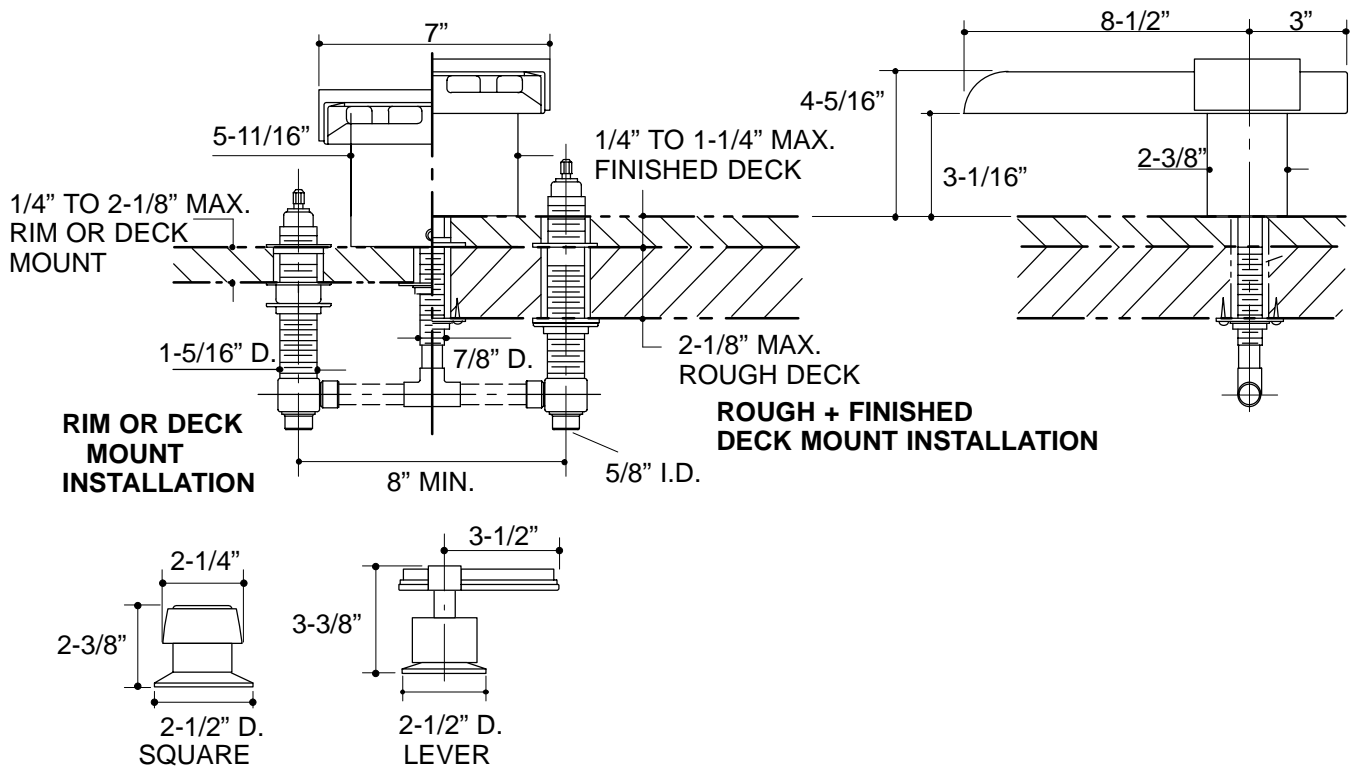
SPECIFIED MODEL:

Model	Description		 ADA
K-6506-2	With Square Handles	<input type="checkbox"/> CP <input type="checkbox"/> PB	
K-6506-4	With Lever Handles		<input type="checkbox"/> CP <input type="checkbox"/> PB

Optional Accessories					
	K-9917	Large Handle Stone Inset, Single			<input type="checkbox"/> Other_____
	K-9923	Large Handle Metal Inset, Single	<input type="checkbox"/> CP	<input type="checkbox"/> PB	<input type="checkbox"/> Other_____
	K-9926	Large Handle Ceramic Inset, Single			<input type="checkbox"/> Other_____
	K-9932	Large Handle Champleve Inset, Single			<input type="checkbox"/> Other_____
	K-9970	Large Lever Metal Insets, Pair	<input type="checkbox"/> CP	<input type="checkbox"/> PB	<input type="checkbox"/> Other_____
	K-9984	Large Lever Stone Insets, Pair			<input type="checkbox"/> Other_____

PRODUCT SPECIFICATION:

Two-handle deck-mount high-flow bath faucet shall be of brass construction. Faucet shall feature brass valve bodies. Faucet shall feature 3/4" quarter-turn washerless ceramic disc valves, assuring positive handle stop positioning. High-flow valving allows water to flow 25-30 gpm at 45 psi. Product shall include 8-1/2" Flume non-diverter spout with slip-fit connection, and square or lever handles with matching brushed metal insets. Faucet shall be Kohler Model K-6506-_____-_____.



316

PRODUCT DIAGRAM