

**Ordering Information**

Accessories/hardware:		
Drain	K-7161-AF	recommended

**Product Information**

Fixture*:	basin area	top area	weight
Bathing well	1245 x 762mm	1575 x 838mm	49 Kg.
	water depth	capacity	
To overflow	432mm	416 litres	
* Approximate measurements for comparison only.			

**Installation Notes**

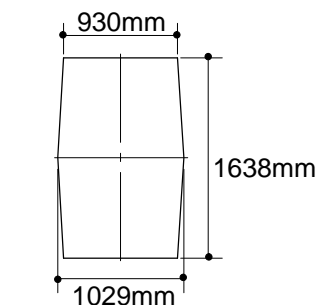
Refer to installation instructions included with fixture before beginning installation.

If installing a rim-mount faucet, make sure there is no interference with drain overflow and circulating system before drilling any holes. Consult local and national codes for minimum air gap requirements if installing a spout on the faucet deck.

**Roughing-In Notes**

Fixture conforms to ANSI Standard Z124.1. All dimensions are nominal.

No change in measurements if connected with drain illustrated.



**CUT-OUT DETAIL**

1.25>132

