

SERVICE SINK STRAINER
K-9144

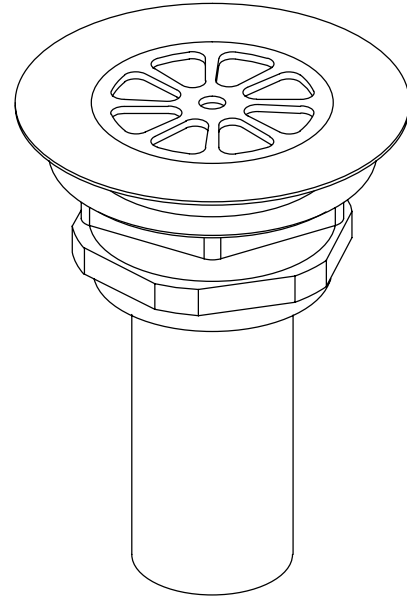
FEATURES

- *Brass construction*
- *Intended for sink thickness up to 1"*
- *Perforated strainer*
- *Brass tailpiece*

CODES/STANDARDS APPLICABLE

Specified model meets or exceeds the following:

- *ASME/ANSI A112.18.1M*



COLORS/FINISHES

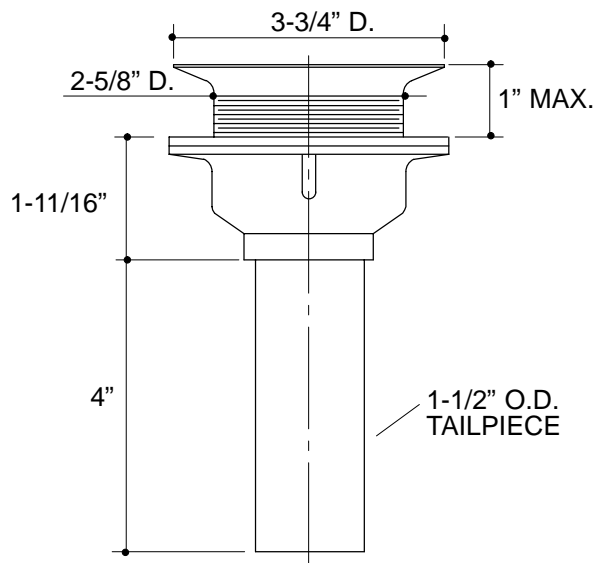
- CP Polished Chrome

SPECIFIED MODEL:

Model	Description	
K-9144	Service Sink Strainer	<input type="checkbox"/> CP

PRODUCT SPECIFICATION:

Service sink strainer shall be of brass construction. Product intended for sinks with thickness up to 1". Product shall feature perforated strainer, brass tailpiece, and 1-1/2" connection. Strainer shall be Kohler Model K-9144-CP.



PRODUCT DIAGRAM