

**LAVATORY BASE FAUCET  
K-7318-K**

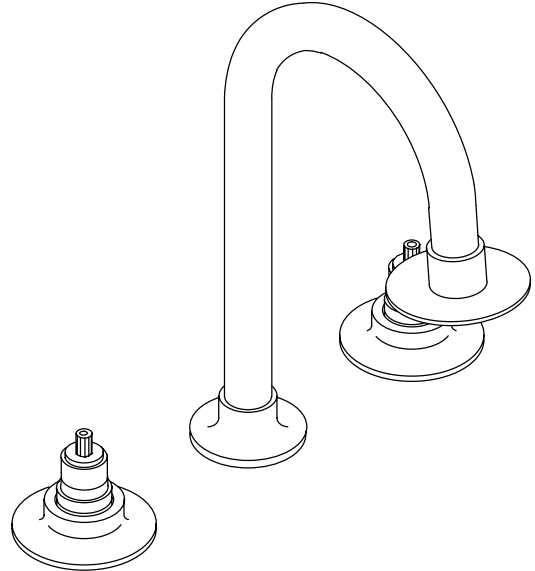
**FEATURES**

- Brass construction
- 8" rigid connections
- Brass valve bodies
- Quarter-turn washerless ceramic disc valves
- 5-5/8" gooseneck spout
- Anti-hose flange
- 2.0 gallons per minute
- Variety of handle style options

**CODES/STANDARDS APPLICABLE**

Specified model meets or exceeds the following:

- ASME/ANSI A112.18.1M
- California Energy Commission
- Energy Policy Act of 1992
- NSF 14

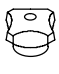







**COLORS/FINISHES**

- CP Polished Chrome

**SPECIFIED MODEL:** For complete faucet, both base faucet and handle choice must be specified.

Model	Description	
K-7318-K	Triton/Finesse/Flair Acrylic Widespread Lavatory Base Faucet	<input type="checkbox"/> CP

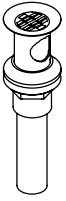
Required Accessory (Includes Two Handles)			 ADA	 ADA	 ADA	 ADA	
K-16012-2	Triton Standard Handles	<input type="checkbox"/> CP					
K-16012-3	Triton Cross Handles		<input type="checkbox"/> CP				
K-16012-4	Triton Lever Handles			<input type="checkbox"/> CP			
K-16012-5	Triton Wristblade Lever Handles				<input type="checkbox"/> CP		
K-16022-5	Finesse Wrist Control Lever Handles					<input type="checkbox"/> CP	
K-16032-7	Flair Sculptured Acrylic Handles						<input type="checkbox"/> CP

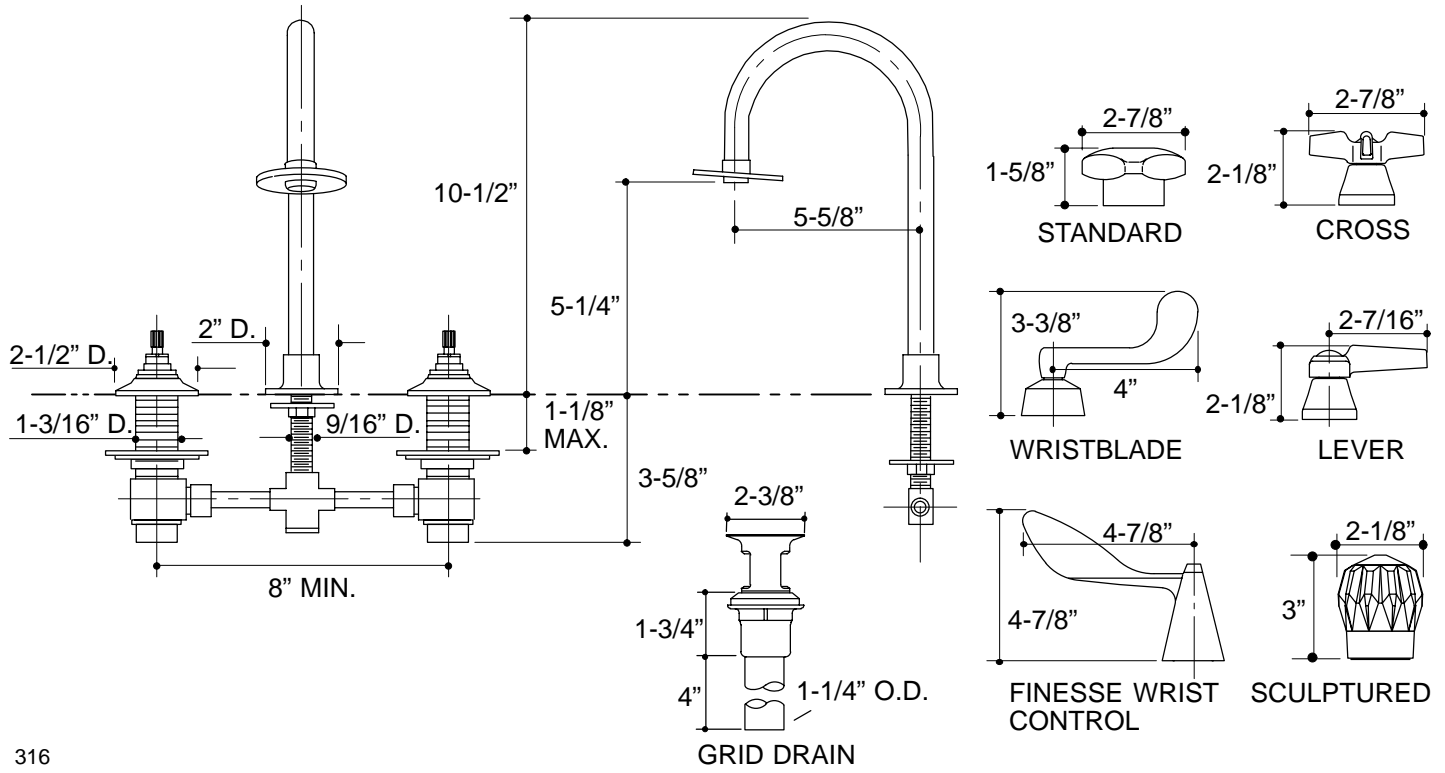
Optional Accessory on Page 2.

**PRODUCT SPECIFICATION:**

Two-handle widespread lavatory base faucet shall be of brass construction. Faucet shall feature brass valve bodies. Faucet shall feature quarter-turn washerless ceramic disc valves, assuring positive handle stop positioning. Product shall be less drain and lift rod. Product shall include 8" rigid connections, 5-5/8" gooseneck spout, and anti-hose flange. Base faucet shall be Kohler Model K-7318-K-CP and handles shall be Kohler Model K-\_\_\_\_\_ - \_\_\_\_-CP.

# TRITON™ /FINESSE™ /FLAIR™ ACRYLIC

Optional Accessory			
K-7715	Grid Drain	<input type="checkbox"/> CP	<input type="checkbox"/> PB



316

## PRODUCT DIAGRAM