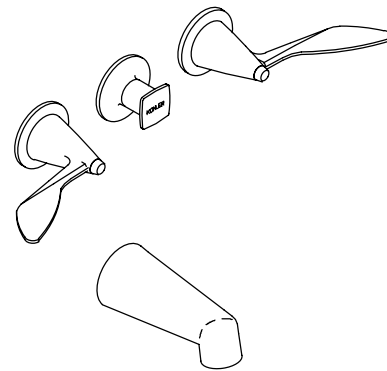
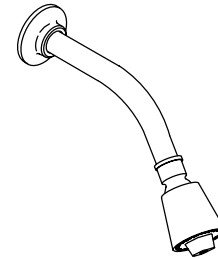


BATH AND SHOWER FAUCET TRIM

K-T13386-5

ALSO K-T13387-5, K-303-K

ADA



FEATURES

- Brass construction
- For 8" centers
- Wrist control lever handles
- Integral diverter mechanism

CODES/STANDARDS APPLICABLE

Specified model meets or exceeds the following:

- ASME/ANSI A112.18.1M

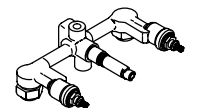
COLORS/FINISHES

- CP Polished Chrome
- PB Polished Brass

SPECIFIED MODEL: For complete faucet, both faucet trim and valve system must be specified.

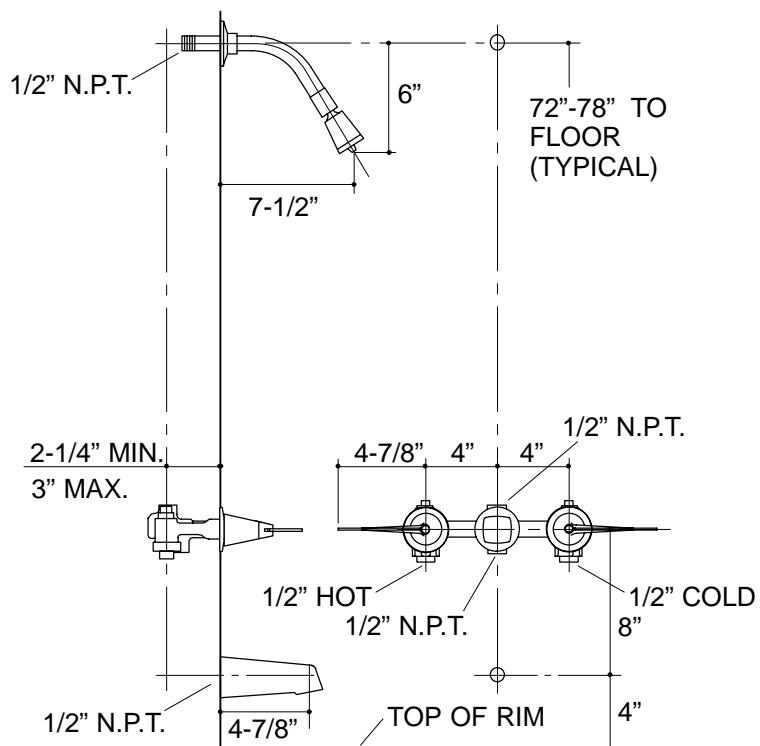
Model	Description		
K-T13386-5	Bath and Shower Faucet Trim	<input type="checkbox"/> CP	<input type="checkbox"/> PB
K-T13387-5	Valve Only Trim	<input type="checkbox"/> CP	<input type="checkbox"/> PB

Required Accessory		
K-303-K	3-Handle 1/2" Ceramic Disc Valve System	<input type="checkbox"/> NA



PRODUCT SPECIFICATION:

Three-handle bath and shower faucet trim shall be of brass construction. Bath and shower trim shall include showerhead with arm and flange, 4-7/8" diverter spout with N.P.T. connection, wrist control lever handles, and integral diverter mechanism. Valve only trim shall include wrist control lever handles, and integral diverter mechanism. Faucet trim shall be Kohler Model K-T_____-5-____ and valve system shall be Kohler Model K-303-K-NA.



332

PRODUCT DIAGRAM