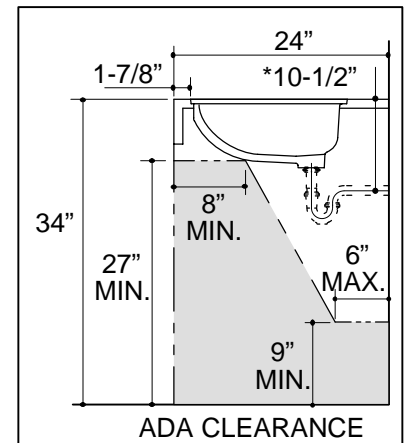
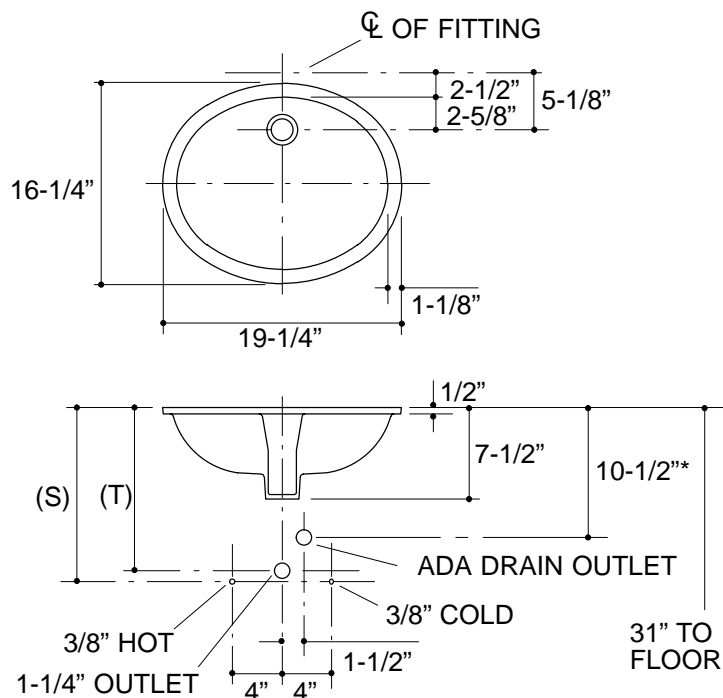


Ordering Information

Trap	K-8998	recommended
------	--------	-------------

Product Information

ADA compliant.			
Fixture*:		basin area	water depth
Lavatory		17" x 14"	4"
Outlet	1-3/4" D.		
* Approximate measurements for comparison only.			
Included Components:			
Cutout template			114752-7



Roughing-In Notes

Fixture dimensions are nominal and conform to tolerances in ASME Standard A112.19.2M.

(T) Pop-up drain 13-1/8", drain 12-1/4".

(S) 14" (Based on 12" riser which may require cutting).

116